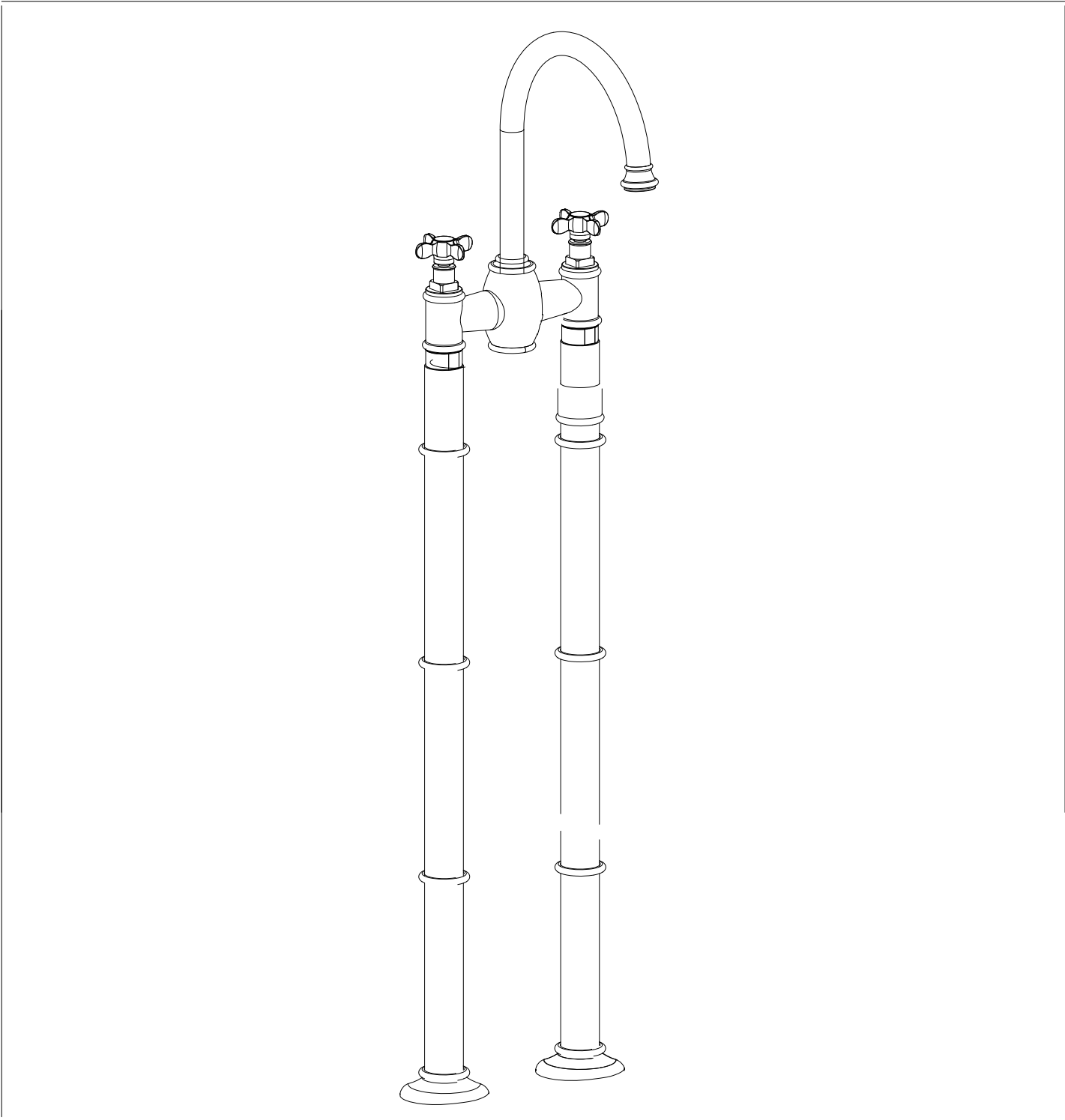


Camden Floor-standing Bath Filler

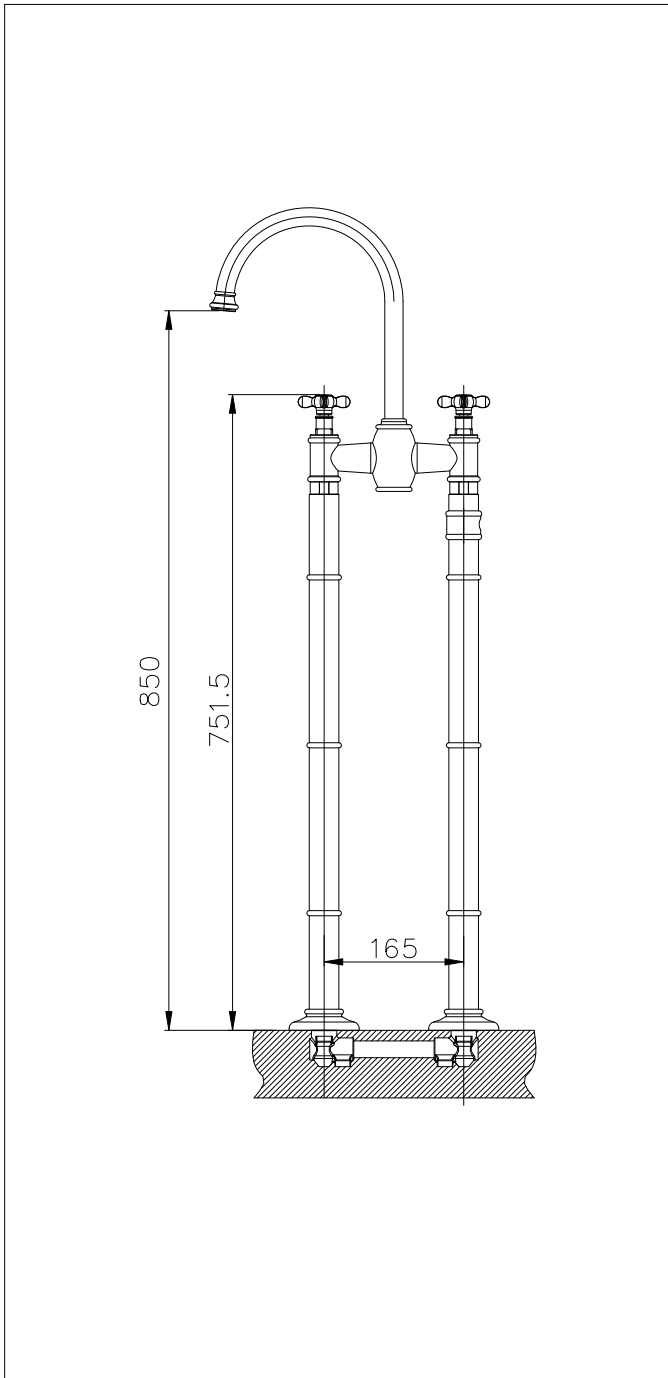
CODE: BeBa_25964/BeBa_25969/BeBa_25974



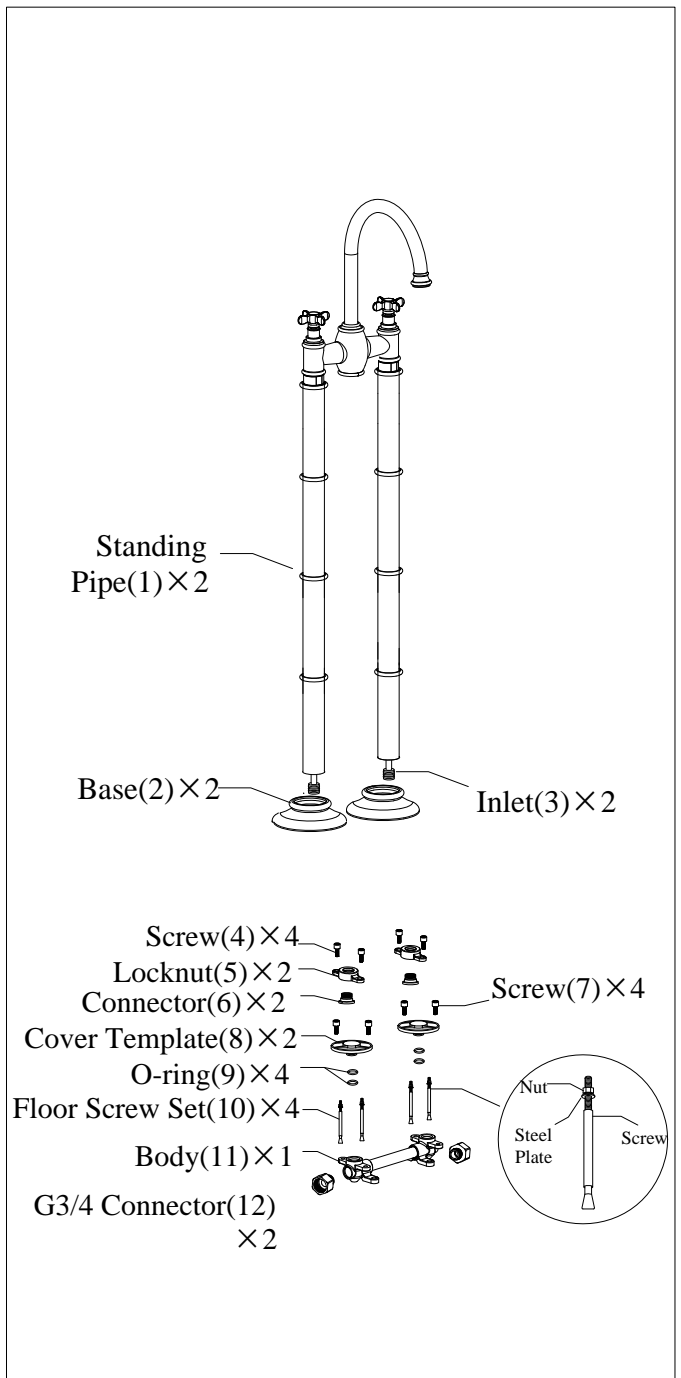
1 NOTES FOR INSTALLATION

- 1) Installation must be carried out in compliance with The Water Fittings Regulations and Scottish Water Byelaws.
Minimum and Maximum working pressure : 0.5 - 5 bar
 - 2) Please do not connect hot and cold water supply lines in reverse. This could result in hot water flowing from cold line and cause scalding.
 - 3) The feed-water temperature of water shall not exceed 85°C. Exceeding 85° may cause scalding, the service life of faucets might be shortened, or the faucet might be damaged.
 - 4) The valve must be installed on the wall that is strong and thick enough.
 - 5) After installation, please make sure the faucet is securely mounted.
- ⚠ Warning :** Read all the instructions completely before proceeding. We recommend calling a professional if you are uncertain about installing this product.

2 DIMENSIONS(mm)



3 PARTS IN THE BOX

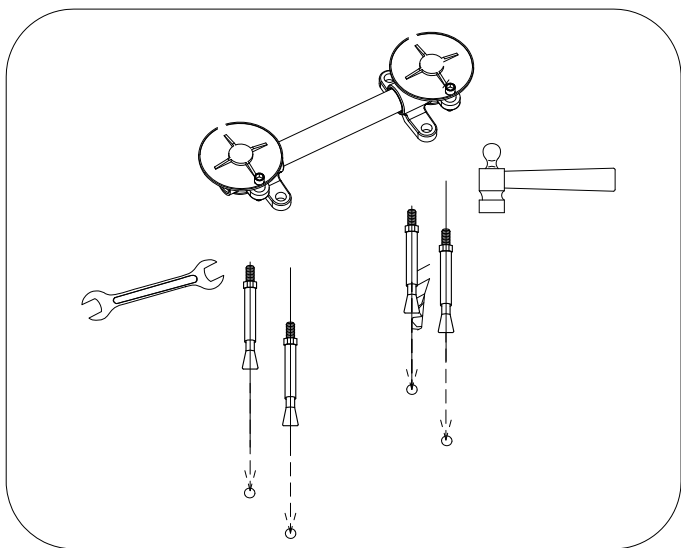


4 SHUT OFF WATER SUPPLY

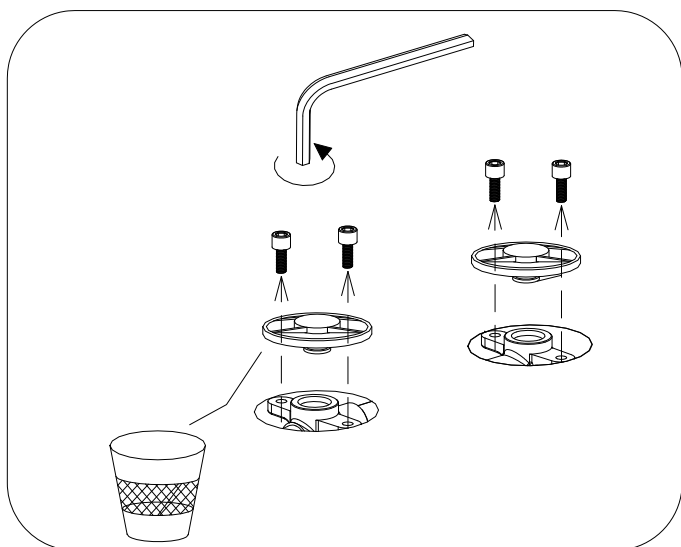
Locate water supply inlets and shut off the water supply valves. These are usually found under the sink or near the water meter.

5 INSTALLATION

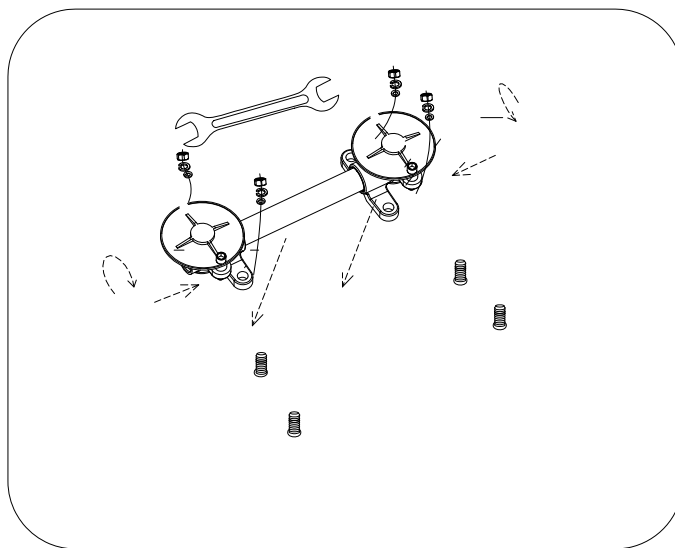
Mark out the fixing positions on the flooring basing on the body(11) and drill four holes. Fix the floor screws(10) into the holes.



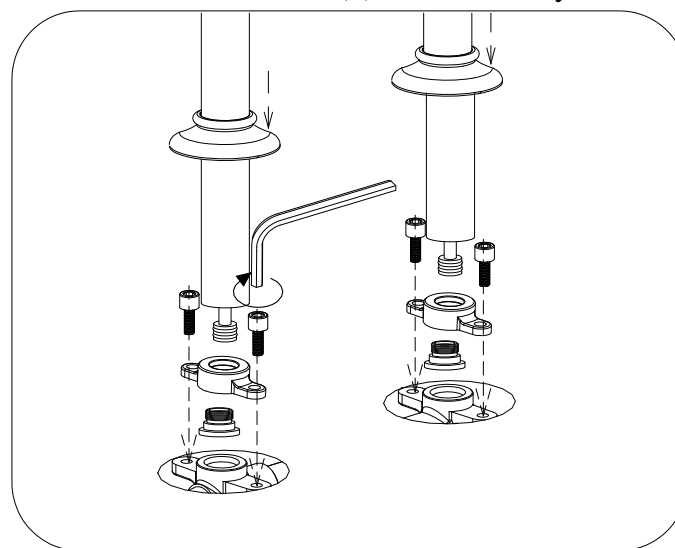
Remove the screws(7) with allen key, take out the cover templates(8).



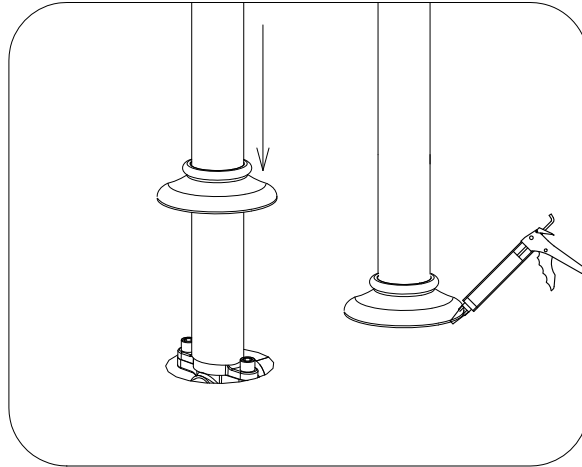
Fix the G3/4 connectors(12) with inlets of the body(11). Thrust the body over floor screws(10) and fasten with steel plate and nut(10). Connect the body(11) with hot (left) and cold (right) water pipes using thread seal tape.



Thrust the connectors(6) vertically into the two inlet holes of the body(11). Press the locknut(5) onto the body. Fix and fasten the screws(4) with allen key.



Fix the Standing Pipes(1) with Body (11) Slide down the bases(2)until they reach the floor. Waterproof adhesive is recommended to be applied.



6 UNIT START UP

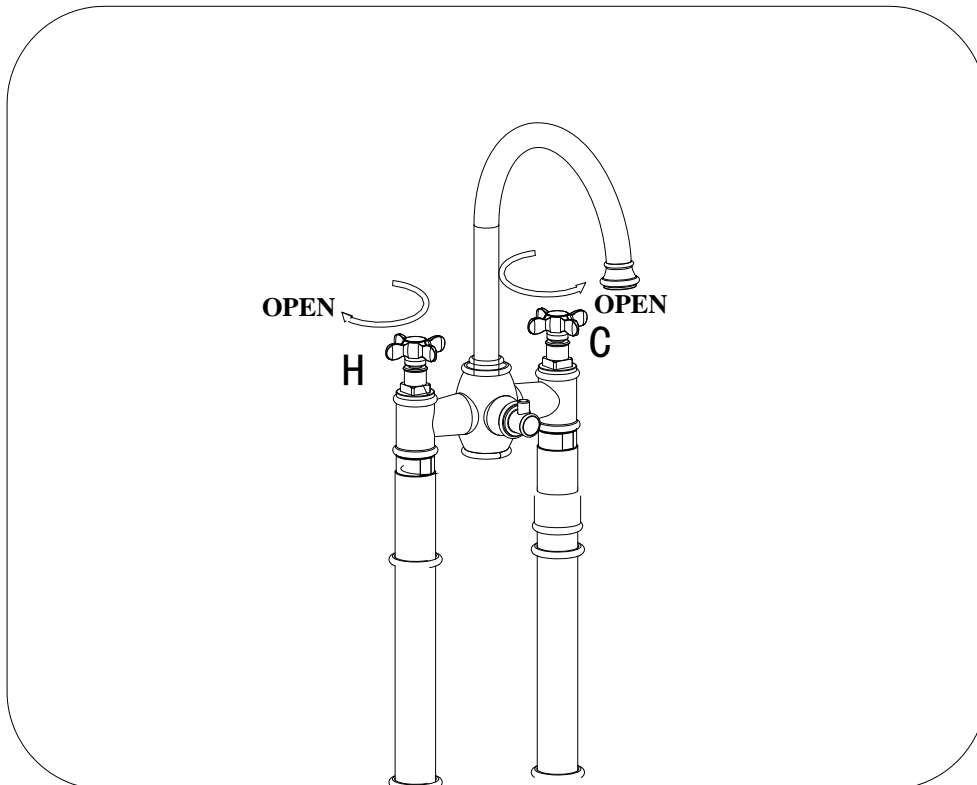
Turn on hot and cold water supplies, and check for leaks above and below the basin.

7 VALVE FUNCTIONS

Hot valve(H): open by turning clockwise, close by turning counterclockwise;

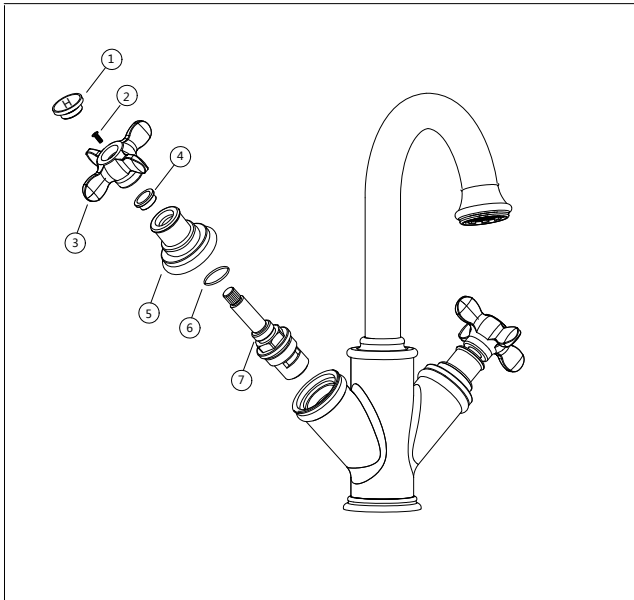
Cold valve(C): open by turning counterclockwise, close by turning clockwise.

Turning angle 90 degree gets the highest water flow.



REPLACEMENT OF CARTRIDGE (COMMON INSTRUCTION FOR 38 Series)

Turn off the valves to release pressure of waterpipe. Unscrew the ceramic cap(1) and remove the bolt(2) with a screwdriver. Take out the handle(3) and sleeve(4). Then disassemble the flange(5)(use tool if needed). Take out the cartridge upward vertically. Assemble a new cartridge by reverse steps.



Parts for Maintenance

Parts	Picture for Reference
Cartridge Cold	
Cartridge Hot	
Aerator	



CAUTION: Maintenance

The valves must be turned off to release the pressure of waterpipe during maintenance.



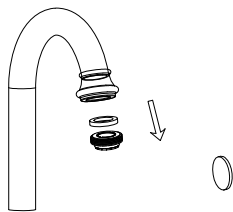
NOTE: Cleaning Instructions:

For all decorative finishes, use only a soft damp cloth to clean and shine. Use of polish, detergents, abrasive cleaners, organic solvents or acid may cause damage. Use of other than a soft damp cloth will nullify our warranty.

CLEANING OF AERATOR

To avoid the dust and impurities from construction that might influence water flow, it is suggested to clean the aerator on a regular basis. Disassemble aerator as per below types and install the aerator by reverse steps.

Type 1: Coin Slot Aerator



Type 2: Hidden Aerator with Aerator Key

