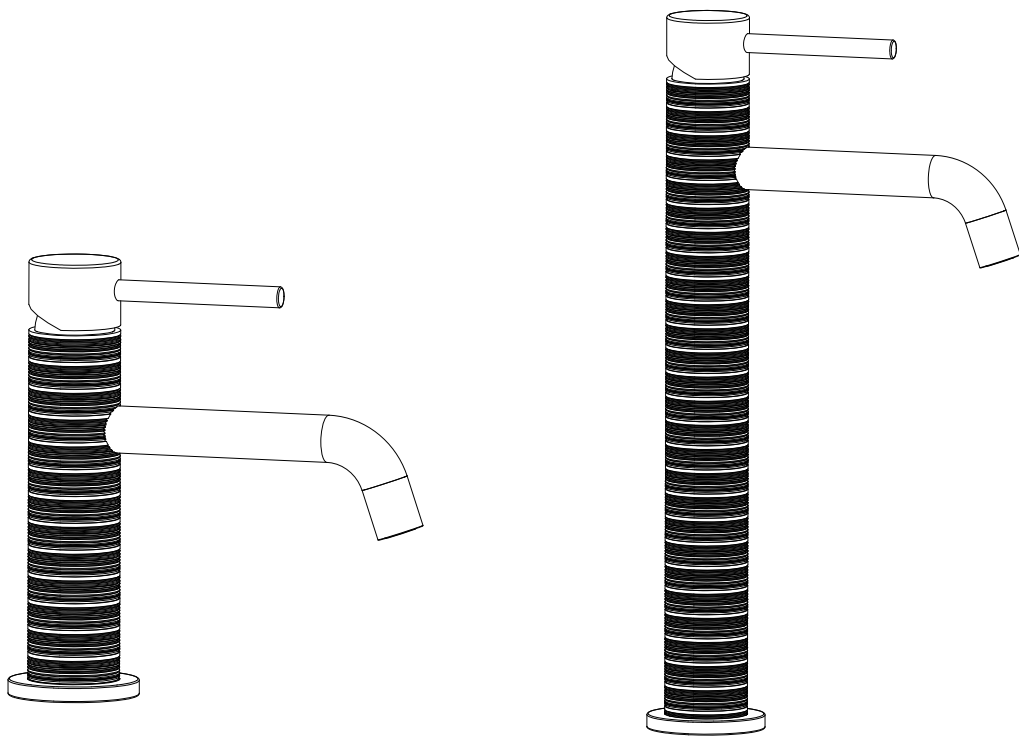


Empire Basin Mixer New

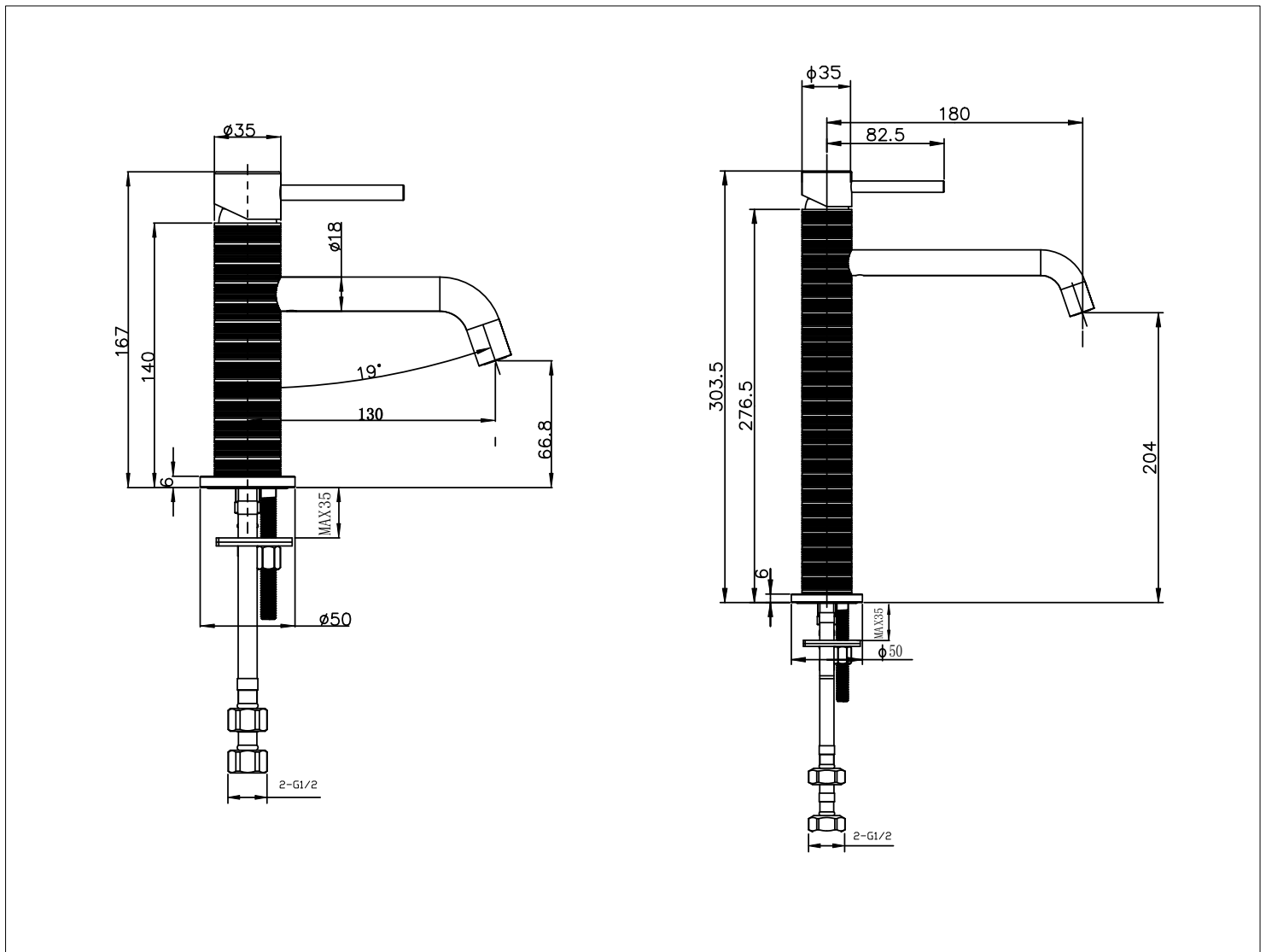
CODE: BeBa_27131/BeBa_27132



1 NOTES FOR INSTALLATION

- 1) Installation must be carried out in compliance with The Water Fittings Regulations and Scottish Water Byelaws.
Minimum and Maximum working pressure : 1 - 5 bar
 - 2) Please do not connect hot and cold water supply lines in reverse. This could result in hot water flowing from cold line and cause scalding.
 - 3) The feed-water temperature of water shall not exceed 85°C. Exceeding 85° may cause scalding, the service life of faucets might be shortened, or the faucet might be damaged.
 - 4) The valve must be installed on the wall that is strong and thick enough.
 - 5) After installation, please make sure the faucet is securely mounted.
- ⚠ Warning : Read all the instructions completely before proceeding. We recommend calling a professional if you are uncertain about installing this product.

2 DIMENSIONS(mm)

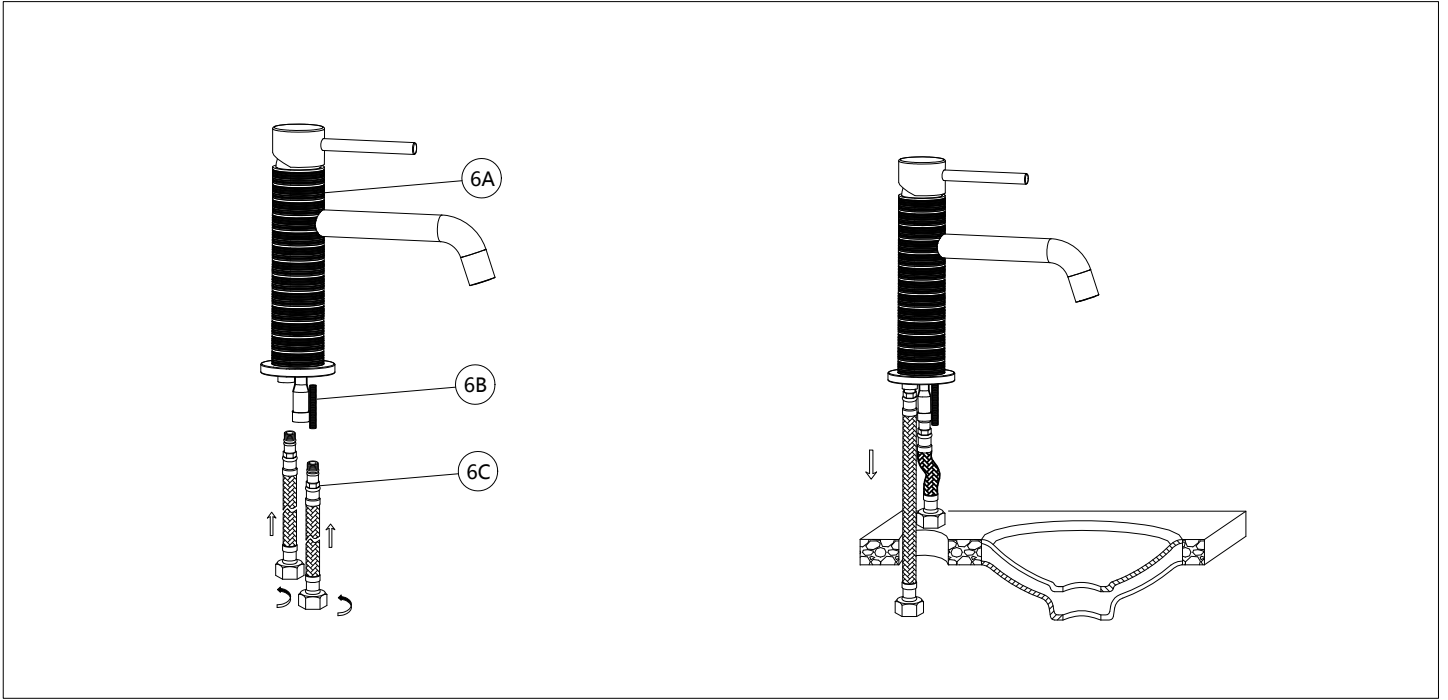


3 SHUT OFF WATER SUPPLY

Locate water supply inlets and shut off the water supply valves. These are usually found under the sink or near the water meter.

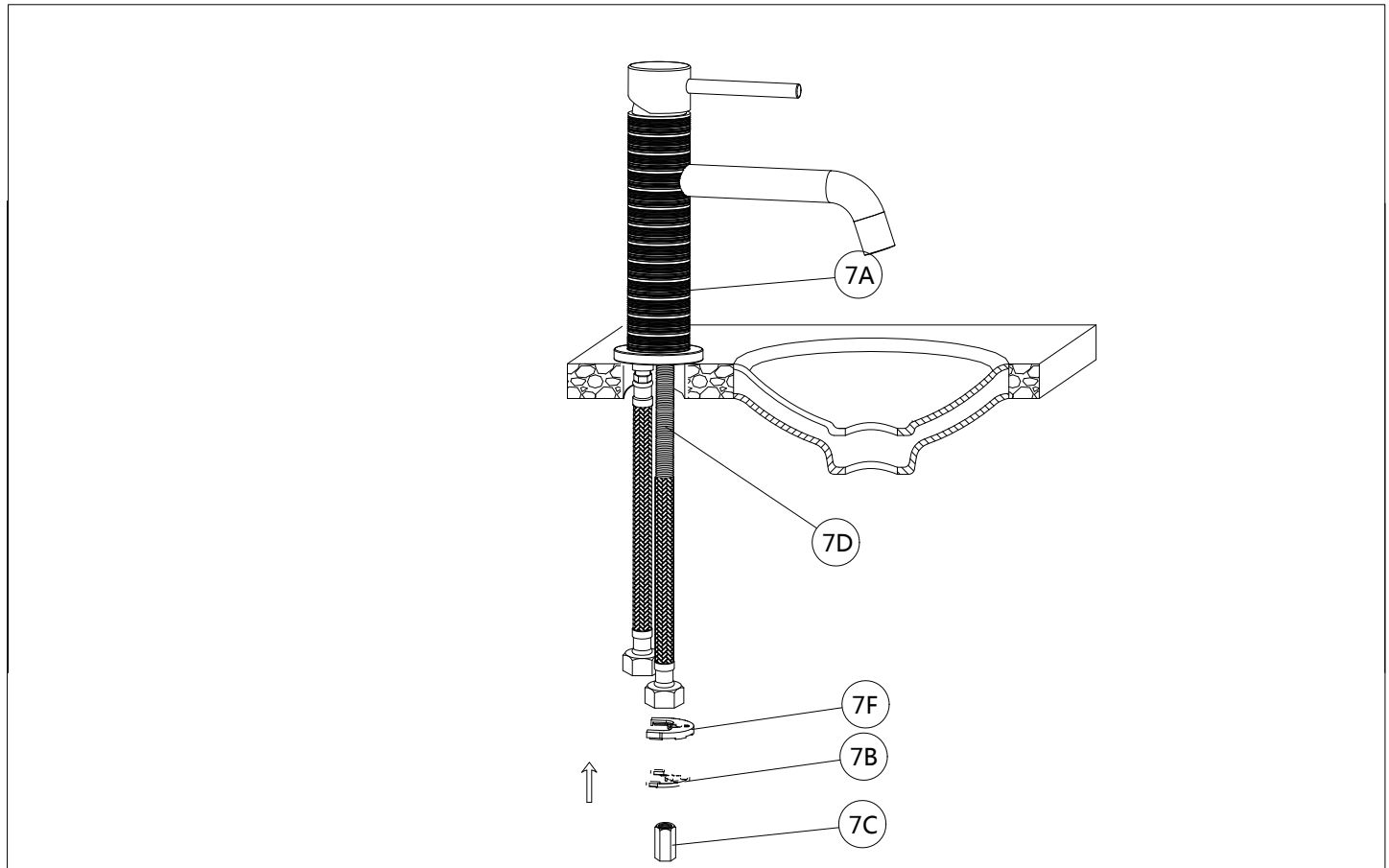
4 INSTALLATION

Install the two inlet hoses(6C) into the faucet(6A). From Above basin, thrust the inlet hoses(6C) and shank(6B) through Hole on basin.



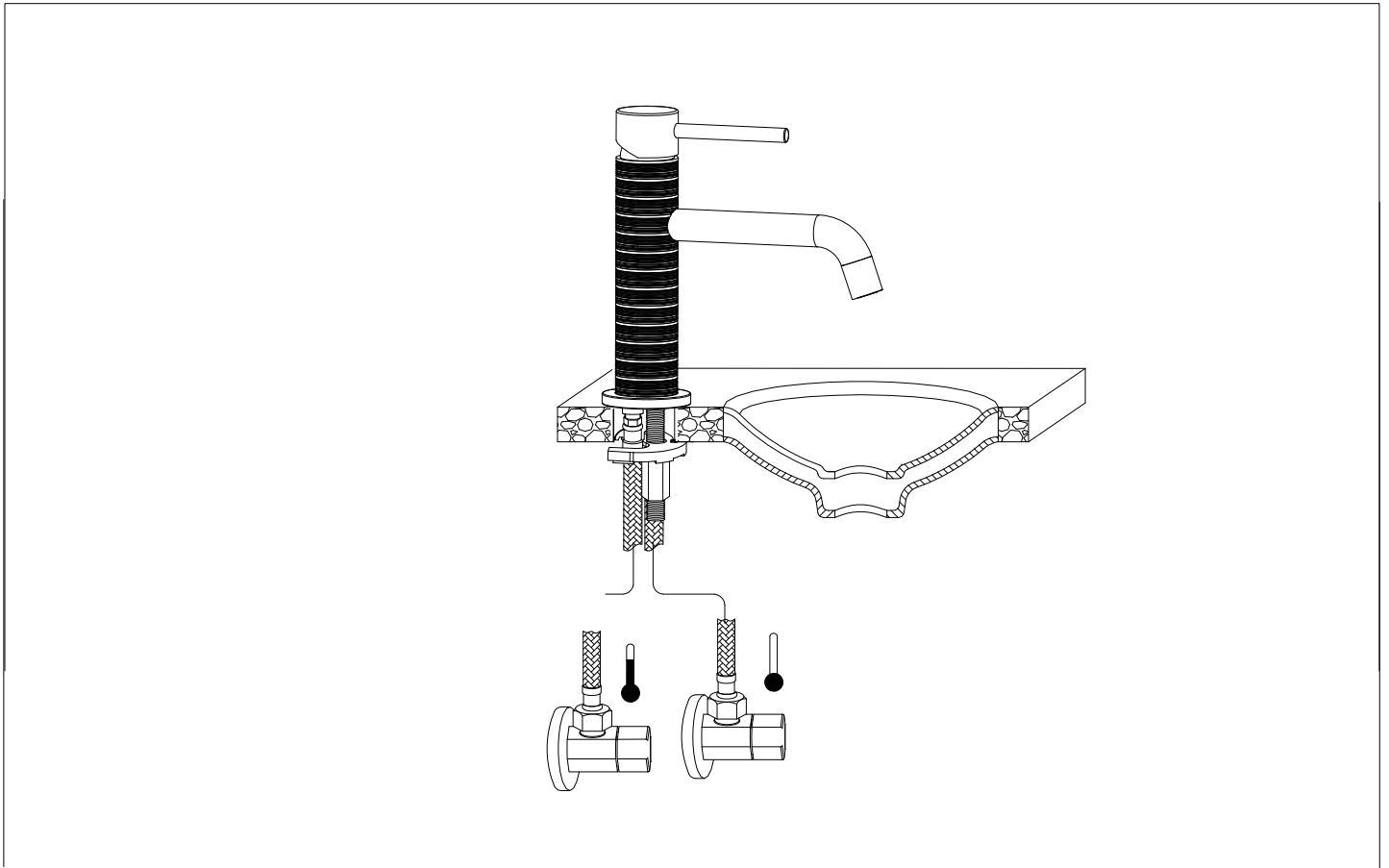
5 SECURING FAUCET

From underneath basin, secure Faucet Body(7A) by placing Rubber Washer(7F), Metal Washer(7B) and threading Long Nut(7C) onto Mounting Post(7D). Make sure that the salient point on Metal Gasket(7B) are facing up. Use install tool to tighten Long Nut(7C). Secure Long Nut(7C) not to exceed a 1/4 turn.



6 WATER SUPPLY LINES

Check if the washers are included into the connector of the hot and cold flexible hoses. Connect the hot and cold flexible hoses to the angle valves.



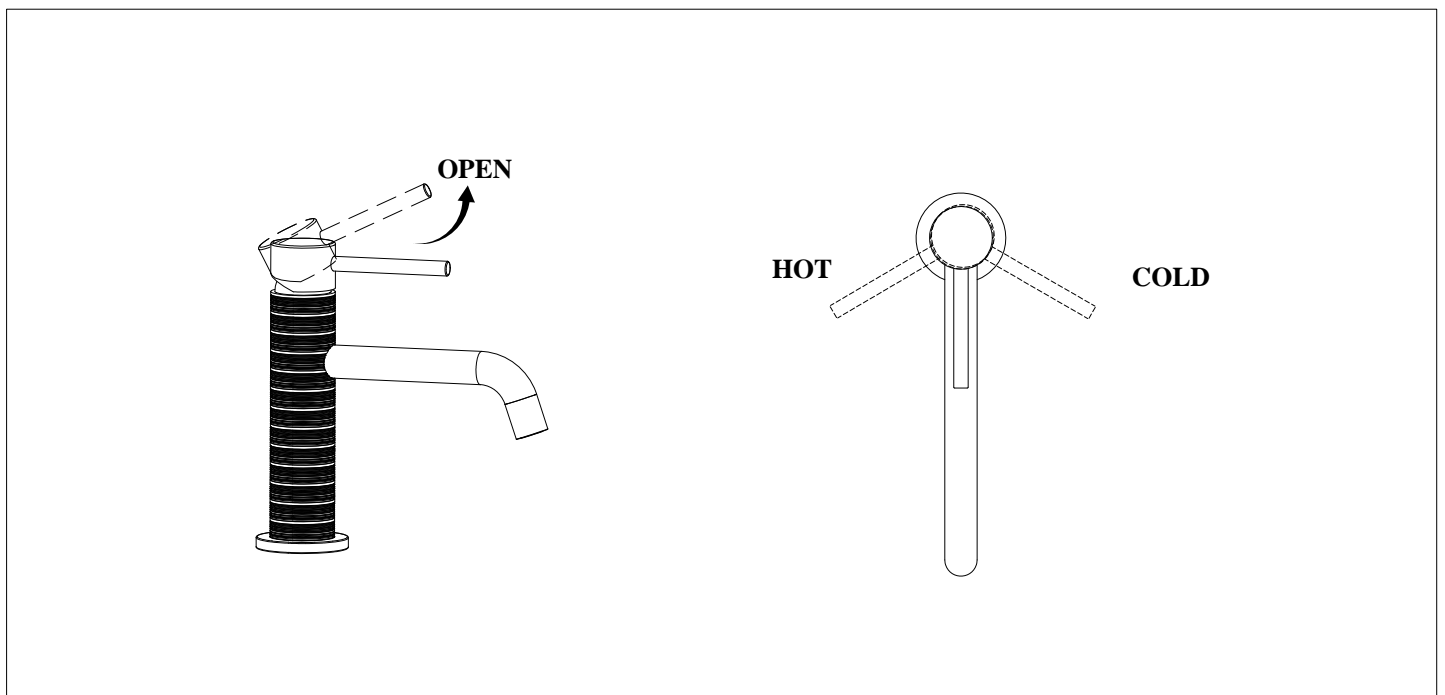
7 UNIT START UP

Turn on hot and cold water supplies, and check for leaks above and below the basin.

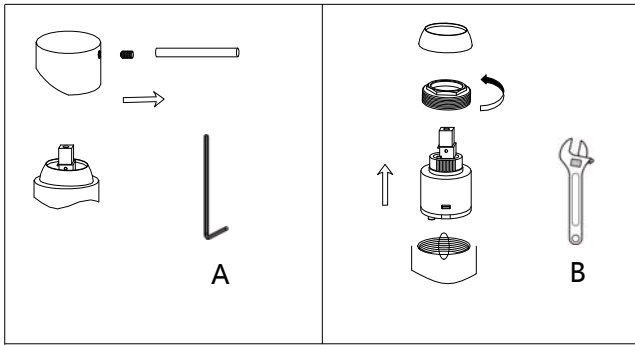
8 VALVE FUNCTIONS

By lifting the Lever Handle upwards, the valve will be activated. Water flow will increase by continuing to lift up the Lever Handle.

By rotating the Lever Handle counter-clockwise, the water temperature will decrease. By rotating the Lever Handle clockwise, the water temperature will increase.



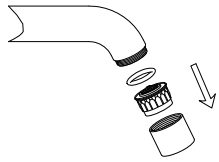
Replacement of Cartridge



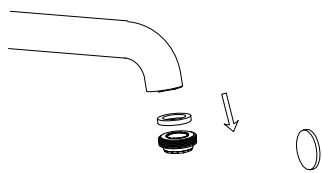
CLEANING OF AERATOR

To avoid the dust and impurities from construction that might influence the water flow, it is suggested to clean the aerator on a regular basis.

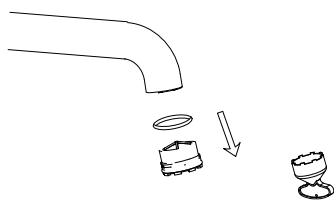
Type 1: Aerator with Housing



Type 2: Coin Slot Aerator



Type 3: Hidden Aerator with Aerator Key



Parts for Maintenance

Parts	Picture for Reference
Cartridge	
Aerator	

⚠ CAUTION: Maintenance

The valves must be turned off to release the pressure of waterpipe during maintenance.

⚠ NOTE: Cleaning Instructions:

For all decorative finishes, use only a soft damp cloth to clean and shine. Use of polish, detergents, abrasive cleaners, organic solvents or acid may cause damage. Use of other than a soft damp cloth will nullify our warranty.