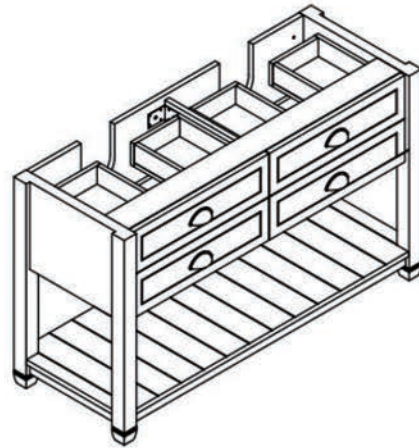
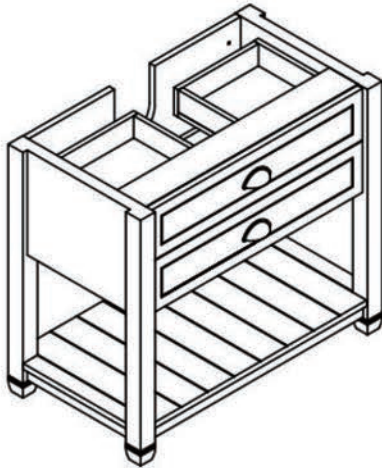




INSTALLATION MANUAL



Non-Illuminated Bathroom Mirror and Furniture

Thank you for choosing a Better Bathrooms Product

Please read this user manual before installing and using this product

Keep it safe for future reference.

Visit our page www.betterbathrooms.com/ for our entire range of Mirrors and Furniture

INSTALLATION TOOLS



Spirit Level



Electric drill



Drill bit
($\Phi 8$)



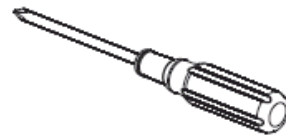
Tape measure
(3m~5m)



Silicone



Pencil



Screwdriver

PARTS LIST

Product	Description	Qty	Description	Qty	Description	Qty	Description	Qty	Description	Qty
27467 27468 27467	Wall Screw	2	Wall Plug	2	Washer	2	Cup Handle	2	Cup Handle Screw	4
27472 27473 27474	Wall Screw	2	Wall Plug	2	Washer	2	Cup Handle	2	Cup Handle Screw	4
27477 27478 27479	Wall Screw	3	Wall Plug	3	Washer	2	Cup Handle	4	Cup Handle Screw	8
27482 27483 27484	Cup Handle Screw	2	/	/	/	/	/	/	/	/
27480 27481	/	/	/	/	/	/	/	/	/	/
27470 27471	/	/	/	/	/	/	/	/	/	/
27475 27476	/	/	/	/	/	/	/	/	/	/



Cup Handle



Cup Handle Screw



Wall Screw



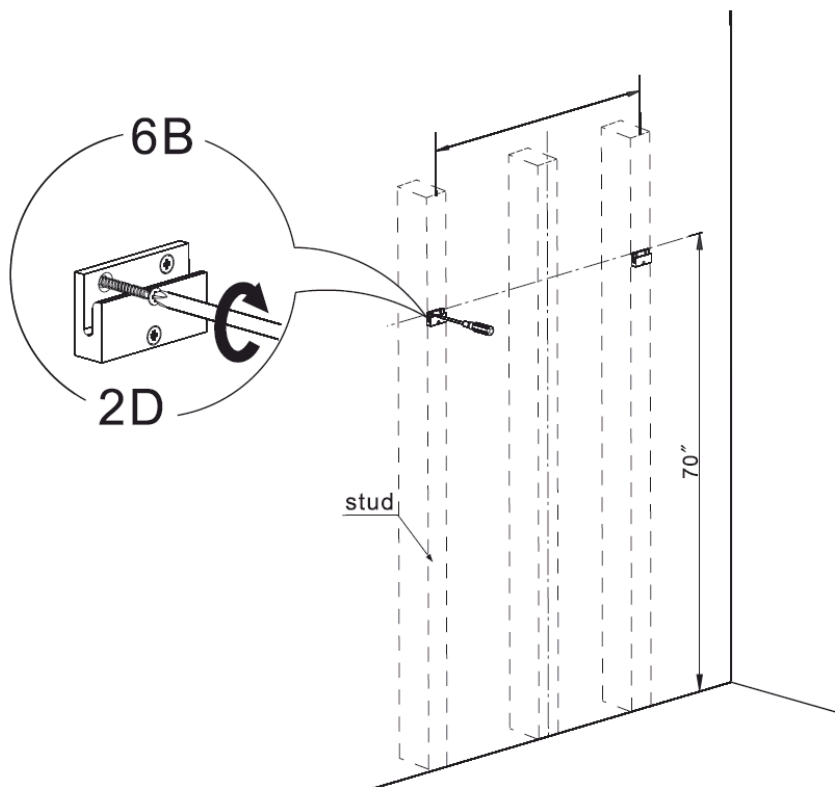
Wall Plug



Washer

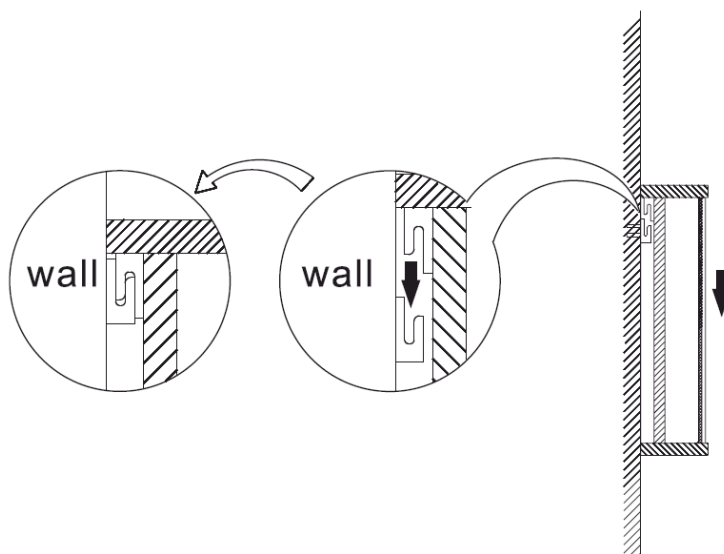
MIRROR INSTALLATION

Hold the bracket up to the wall over the drilled holes and secure using the screws provided.



Ensure the brackets on the rear of the unit are fully tightened.

Lift the product on the wall mounted brackets to engage both sections of the brackets.



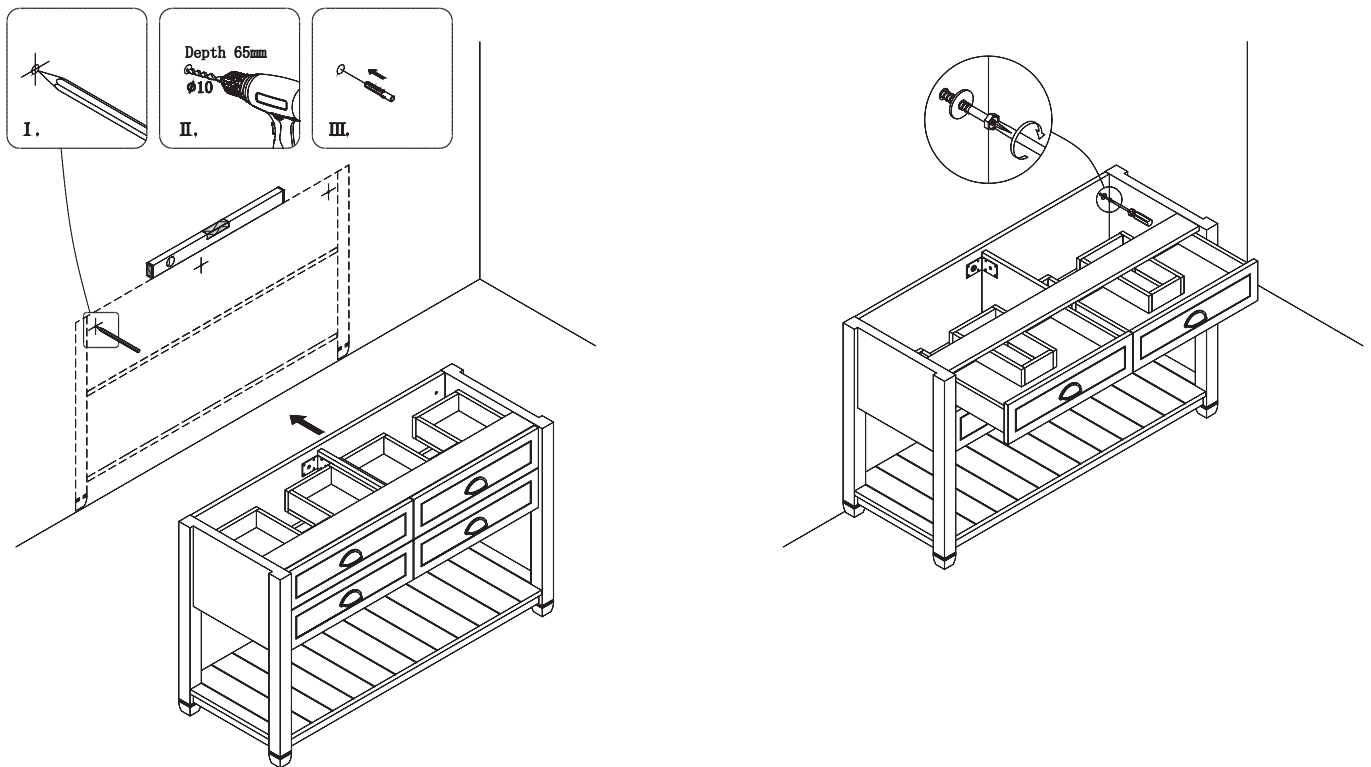
Once installed a bead of silicone can be applied around the edges of the unit if required.

CABINET INSTALLATION

After the position of the brackets is marked, drill the holes in the wall, using an 10mm drill bit (not supplied), to a depth of approx 65mm.

Insert the wall plugs and tap flush with the wall surface and secure the wall brackets into place.

Check the brackets fitted to the unit are fully tightened.

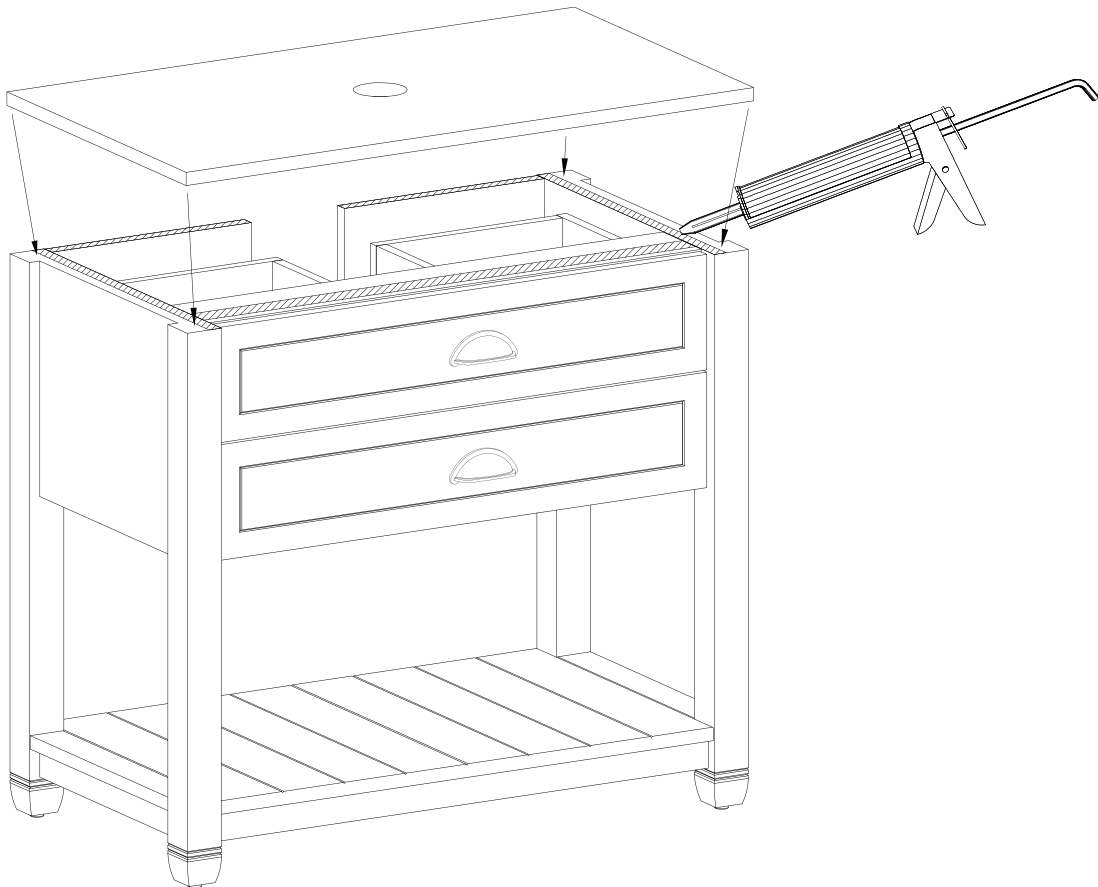


BECHTOP INSTALLATION

Please noted for benchtop, the basin hole has been drilled and there is no tap hole. Before installing the benchtop, confirm your selected basin will fit benchtop. If you need to match a tap, please drill a tap hole according to your tap and the drilled edge must be sealed.

After the basin hole and tap hole are confirmed, the benchtop can be fitted to the unit, by applying a bead of silicone between the unit and benchtop to provide a seal and fixing for benchtop to the unit.

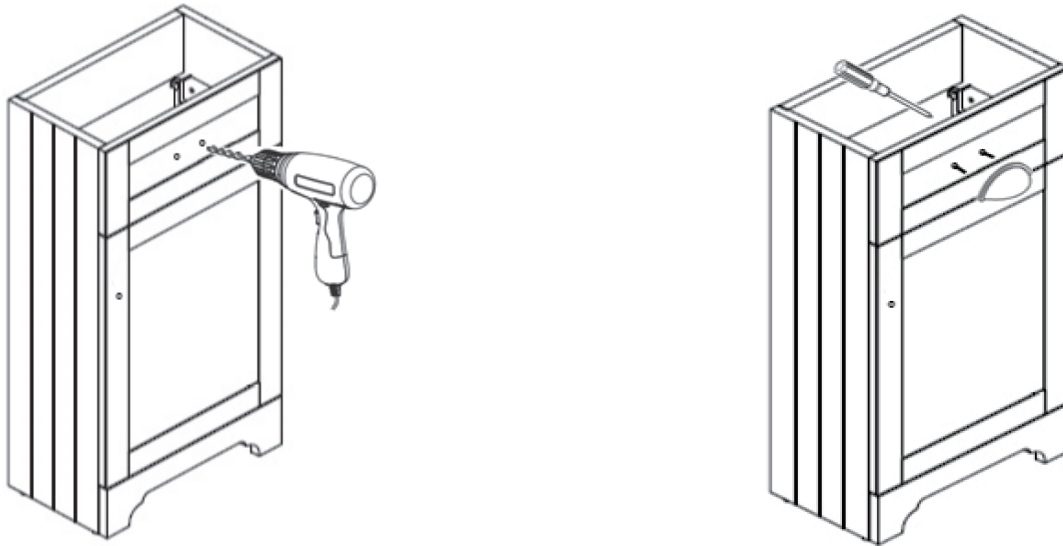
Also run a bead of silicone along the back edge of the base where it meets the wall.



DOOR HANDLE INSTALLATION

The doors which are to be fitted with handles, either the round or shell type are provided with pilot holes which should be drilled to allow fitting of the handle screw through the door and into the handle.

Drill the holes, then place the screw through the unit from inside the door, connect this to the handle and tighten



CLEANING AND MAINTENANCE

Wipe the product clean and dry regularly, especially when the product is subject to steam or splashes.

Do not use harsh chemicals or materials on the product, as this will damage the product and invalidate your guarantee.

To clean and maintain the product, wipe using a clean damp cloth and wipe dry with a soft cloth.

We hope your new product goes above and beyond your expectations. However, should any problems occur, please:

- log in to your account and contact our customer services team via your self-serve portal – betterbathrooms.com/CustomerAccount/Login
- contact us via betterbathrooms.com/content/contact-us