

# USER MANUAL

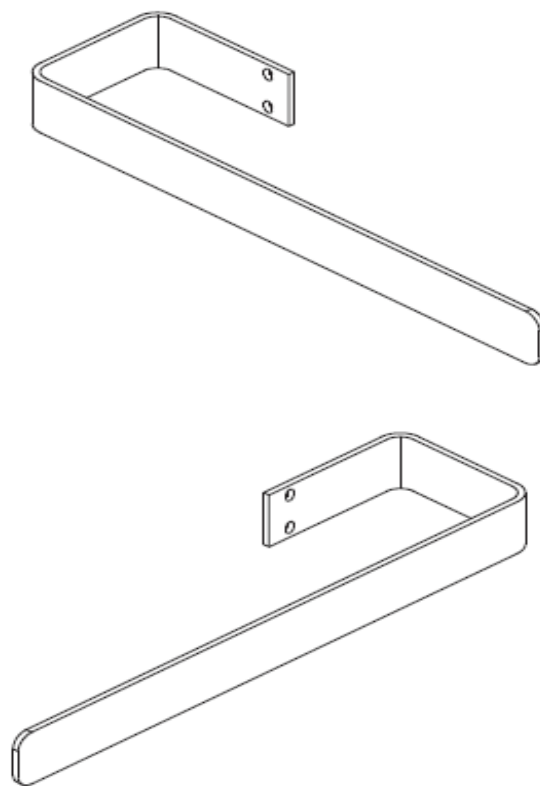


Thank you for choosing Better Bathrooms.  
Please read this manual before installing your product  
and keep for future reference.

better  
bathrooms

## MARGOW380, MARGOA380

### Towel Hook to fit on Single Panel Margo Radiator 380mm



- **Single-person assembly**
- **Tools required**
- **We always recommend using professional tradespeople to install your product**

V1\_7.08.24

# Congratulations on your purchase

*And welcome to our growing gang of savvy shoppers*

We're on a mission to bring you extraordinary bathroom products, for less. From modern to traditional style ceramics, plus the gorgeous fixtures, fittings and furniture to match. So, you can fall in love with your space every single day.

As one of the UK's largest independent bathroom stores, we've received countless awards; including the National Business Awards UK, the Digital Entrepreneur Awards and being placed on The Sunday Times Fast Track 100.

We hope your new product goes above and beyond your expectations. However, should any problems occur, please:

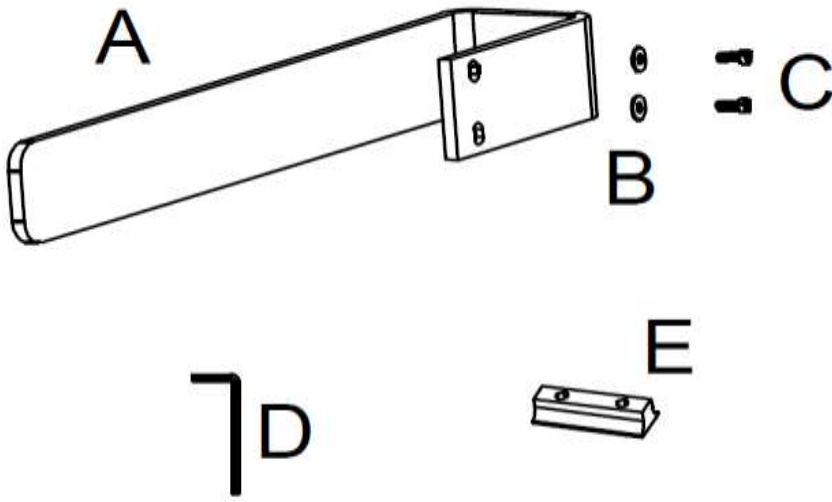
- log in to your account and contact our customer services team via your self-serve portal – [betterbathrooms.com/Customer Account/Login](https://betterbathrooms.com/CustomerAccount/Login)
- contact us via [betterbathrooms.com/content/contact-us](https://betterbathrooms.com/content/contact-us)

## Important information

- Please read these instructions thoroughly and retain for future reference.
- Please ensure that the product is checked for damage prior to installation, any damage reported after installation will not be covered.
- The maximum weight limit for hook is 3kg.

# Part

Please note that Parts are for illustrative purposes only and may differ slightly to the actual product.



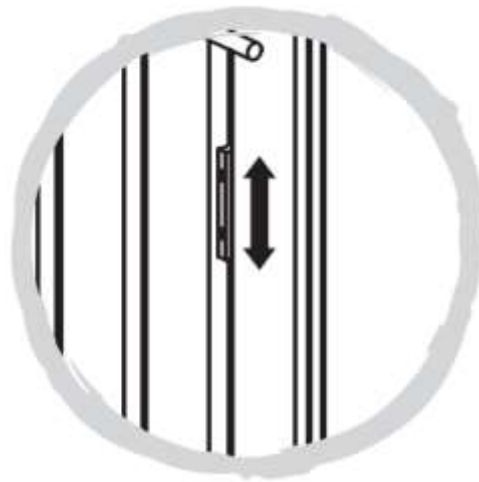
- A. 2x Hook
- B. 4x Hook washer
- C. 4x Hook screw
- D. 1x Wrench
- E. 2x Sliding block

# Installation

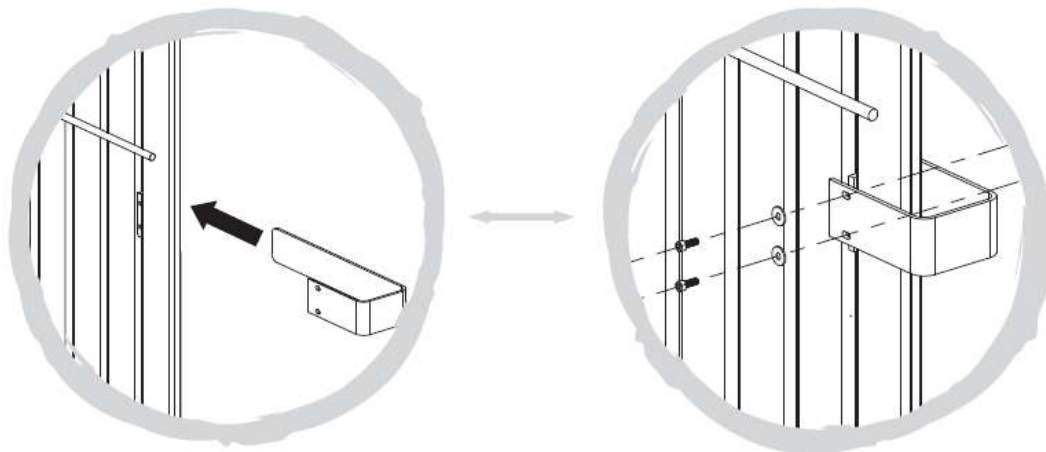
The system pipes must be flushed prior to installation.

Please note: The hook shall fit on Single Panel Margo Radiator.

1. Place the sliding block in the appropriate position of your radiator.



2. Place the hooks, then use hook screws through washers and holes of the hook, screw into the sliding block on the radiator, tighten the screws with the wrench.



3. You can install the radiator now, please refer to radiator manual for installation.

# Cleaning

This Hook is made from steel with a plated finish. To maintain the surface of your product, wipe with a clean damp cloth and wipe dry.

Do not use abrasive cleaning agents or materials which can strip and scratch the surface; the use of these agents or materials can invalidate your guarantee.

It is recommended to wipe and dry on a regular basis.

## ***For more information***

- visit [betterbathrooms.com](http://betterbathrooms.com)
- email [customerservices@buyitdirect.co.uk](mailto:customerservices@buyitdirect.co.uk)
- call 0330 390 3062
- write to Trident Business Park, Neptune Way, Huddersfield, HD2 1UA

**better**   
**bathrooms**

Part of the BuyItDirect Group