

**ORIDIAN GRANITE
UNDERMOUNT SINKS**
Installation Instructions &
Aftercare Information

RANGEMASTER

08-00032-01

Due to our policy of continual improvement, we reserve the
right to change specifications without prior notice.

Notes:

Notes:

Notes:

IMPORTANT!

- ⚠ **During installation, take care to protect the sink from scuffs and scratches.**
- ⚠ **Do not stand on the sink.**
- ⚠ **During installation, do not stand the sink on its edges or corners. This may cause damage.**
- ⚠ **Avoid straining and over tightening of all plumbing fixtures connected to the sink.**
- ⚠ **Carefully check that the moulding and edges of the sink are dead level so that water will flow off the drainer.**
- ⚠ **The clamping brackets are suitable for worktops of between 30–40 mm thickness (Fig. 1.1). If your worktop is a different size then it may require packing under the clamps or rebating.**

Preparation

1. Take great care when handling this sink, whilst every effort has been taken to remove sharp edges, the material by nature may be sharp. We recommend wearing gloves accordingly. **DO NOT** lift the product by the waste hole(s) or tap hole(s). We recommend 2 people should be used to handle this product.
2. Check the package for completeness, possible defects or any transport damage before installation commences. Installed faulty product will not be honoured by the warranty.
3. Check that the supporting carcass and worktop is level left to right and front to back to ensure correct drainage of water.
4. Check that the surrounding furniture is the correct size and shape to accept this product and that no plumbing or wiring may foul the installation.
5. If replacing an existing sink, remove this product and clean the surrounding area, ensure the new sink will suit the existing cut out size and position, otherwise amend the cut out size accordingly.
6. Before creating the cut out in the worktop, carefully plan the positioning of the sink. Ensure that the position of the bowl(s), tap and overflows will not interfere with surrounding units or appliances. Check that the fixing clips will not foul carcass walls or supporting braces.
7. Carefully mark out the cut out using the provided technical drawing or template. Create the sink cut out in the worktop using a router or CNC cutter, follow the manufacturer's instructions taking care not to chip, crack or scratch the worktop. If preparing the cut out in situ cover any open pipework to avoid any debris contaminating the water supply feeds.

Parts and Contents

You will need:

Ruler/Tape Measure	Pencil
Masking Tape	Safety Glasses
Kitchen Silicone Sealant	Screwdriver
Hammer	Jigsaw & Suitable Blade (if work top cutout is required)

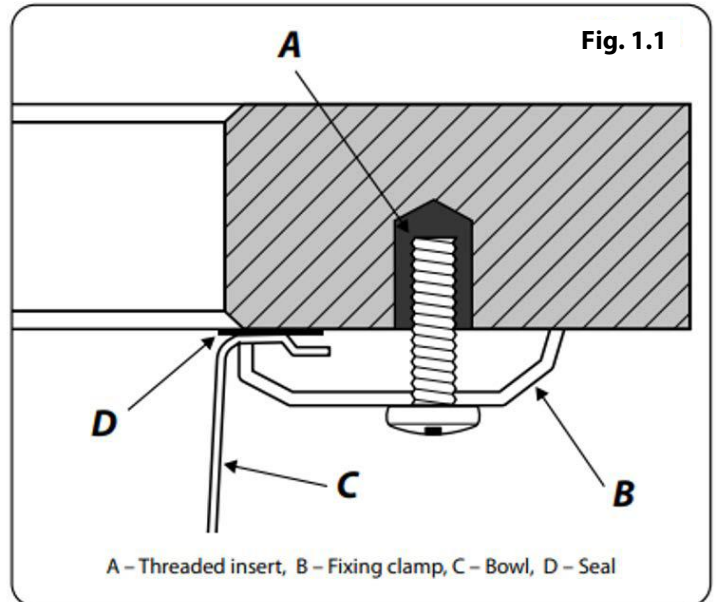


Fig. 1.2

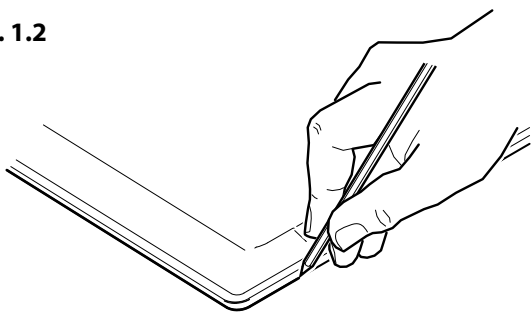
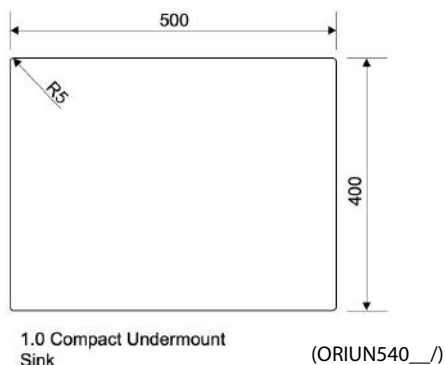


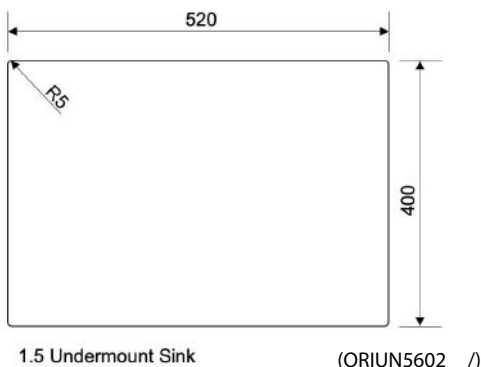
Fig. 1.3



1.0 Compact Undermount Sink

(ORIUN540__/)

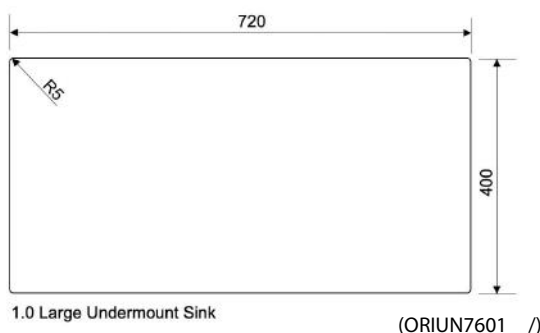
Fig. 1.3a



1.5 Undermount Sink

(ORIUN5602__/)

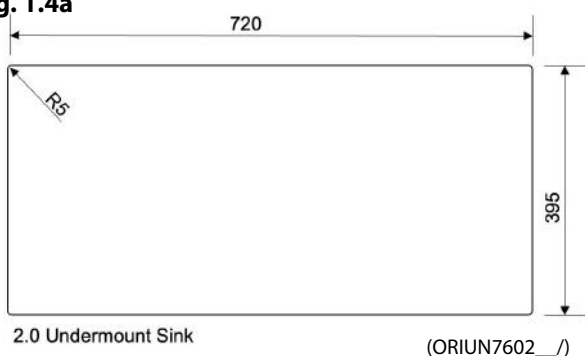
Fig. 1.4



1.0 Large Undermount Sink

(ORIUN7601__/)

Fig. 1.4a



2.0 Undermount Sink

(ORIUN7602__/)

Preparing the Worktop

We recommend that you fit the sink to the worktop before permanently fixing the worktop to the cabinet.

1. Place the sink upside down on the worktop. Position the sink on the worktop as required. Make sure the cabinet framework will clear all parts of the sink. Using a soft, sharp pencil draw around the sink as accurately as possible (Fig. 1.2). Remove the sink.
2. Using the sink position as a rough template, mark the cutout as per dimensions (Fig. 1.3, 1.3a, 1.4, or 1.4a dependent on sink). Choose the correct cut-out template dependent on the sink you are installing.
3. Drill as large a hole as possible inside the cutting line. Using a pad saw, jigsaw or similar, cut out the opening up to the cutting line.
4. **Drill 4-6 evenly space holes around the cut out, dependent on the sink you're installing.** (Fig. 1.5).
5. Glue in the brass inserts supplied. Make sure to ensure enough clearance from the cut out and edge of sink for the brackets to then lay on the edge when fitted into the brass insert. **DO NOT** fit the clamps at this point.

Sealing the Edges of the Opening.

We recommend that porous edges around the cut-out are sealed using a waterproof sealant such as varnish, paint or wood glue. This will prevent swelling of the worktop should any small leaks occur (Fig. 1.6).

Fig. 1.5

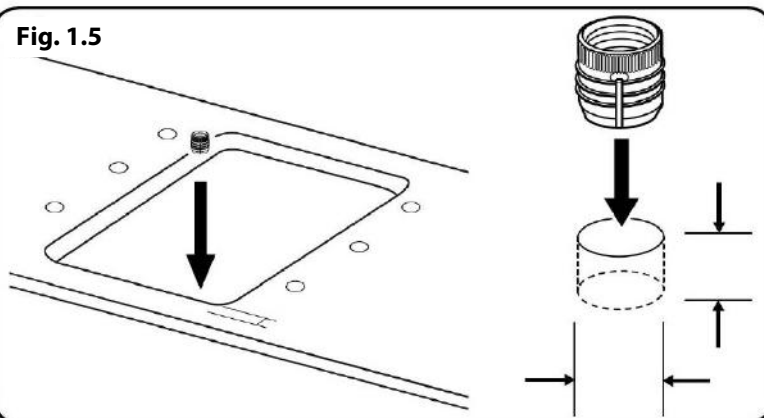
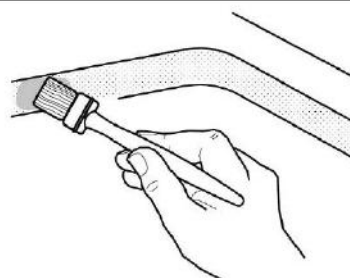


Fig. 1.6



Applying the Silicon Sealant

⚠ DO NOT use Epoxi sealant or Epoxi adhesive.

Apply a bead of "Silicone sealant" (not included) to the top surface of the sink flange. Position the sink over the work top opening.

Fitting the Sink

1. Position the bowl to the worktop. Using the fixing clamps and screws (Fig. 1.1), secure the bowl to the worktop (Fig. 1.7).
2. Centre the sink. Tighten the fixing screws in the sequence shown in **Fig. 1.8**

⚠ Do not tighten fully at first attempt.

3. Remove any surplus sealing material or wipe away any excess sealant.

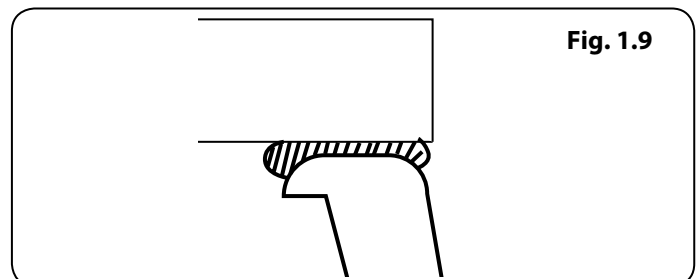
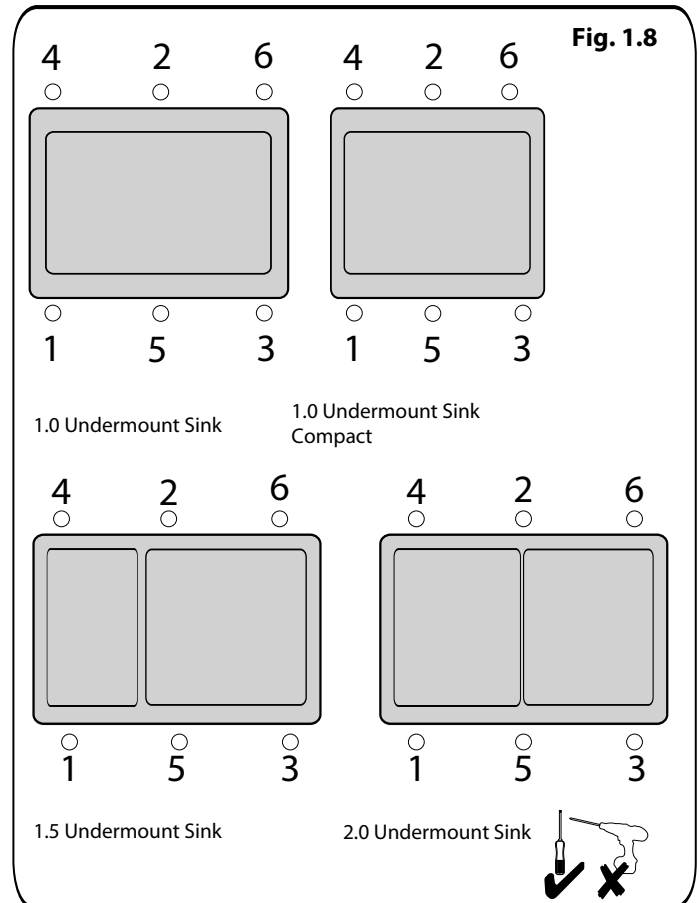
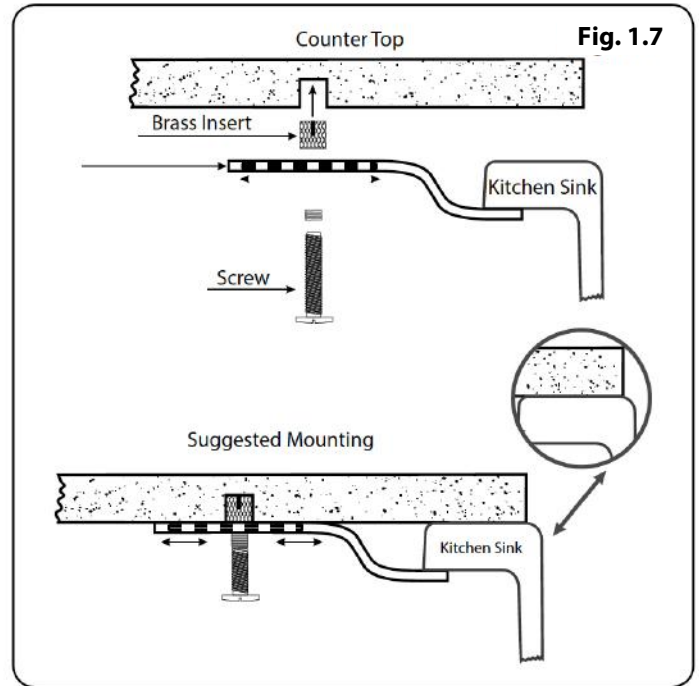
Note: If the cut out is adjusted to either overhang or set back from the sink rim, sufficient surface area must be left to allow a water tight seal (**Fig. 1.9**).

Waste Fittings

Fit the waste fittings to the sink using the instructions supplied with them.

Check for Leaks:

- Fill sink with water and check for leak around drain
- Release water from sink and check for possible leaks
- Tighten as needed



After Care

Day-to-day care

Although your sink is made from extremely durable materials and will withstand a great deal of hard use, it can be scratched by hard or sharp objects. If the surfaces are to be kept in a blemish free condition reasonable care should be taken when handling such items.

Cleaning

⚠ Do not use abrasive cleaning creams or powders, scrub pads or alkali cleaners such as ammonia, concentrated caustic soda, formic acid or anything highly corrosive.

Wash your sink using warm water, a soft cloth or non-abrasive woven nylon pad and a non abrasive liquid cleaner or detergent. This can be done as often as the sink is used.

Metallic Abrasions or Heavy Stains:

Wipe the sink using a soft cloth or non abrasive woven nylon pad and a liquid scouring product. Apply the liquid scouring product sparingly and rub lightly. Repeat as necessary until sink is clean.

Hard Water, Calcium and Lime Deposits:

Wipe with a non abrasive woven nylon pad and white vinegar. Rinse after 20 minutes.

Please refer to www.rangemaster.co.uk for a full guide to cleaning your sink.

25 YEAR GUARANTEE

We guarantee to replace any igneous granite sink that breaks due to material or manufacturing defects within 25 years from the date of purchase.

The guarantee does not cover normal wear and tear occurring through use of the product.

For the guarantee to apply the owner must follow the use, care and cleaning instructions provided.

Accessories and waste fittings are not included in this guarantee.



RANGEmaster

Meadow Lane, Long Eaton, Nottingham,
NG10 2GD, England

Trade Enquiries: +44 (0)115 946 4000

Consumer Enquiries: +44 (0)1926 457628

E-mail: consumers@agarangemaster.co.uk

www.rangemaster.co.uk

23

Kitchen sink made of: Granite Composite
Preparation of food, washing of dishes and
discharge of domestic waste water

EN 13310 : 2015

CA - DA

Due to our policy of continual improvement, we reserve the right to change specifications without prior notice.