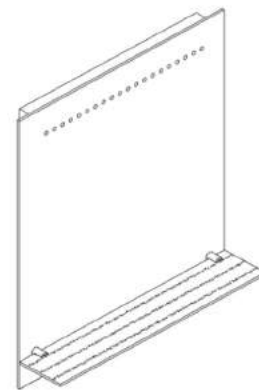


INSTALLATION  
INSTRUCTIONS

1 x NYLA  
LED MIRROR WITH  
INTERGRATED SHELF  
IP44

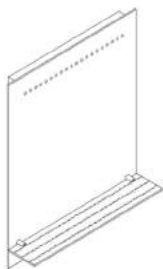


**CODE: SE30566C0**

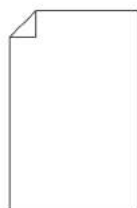
**IMPORTANT:** Please read these instructions before commencing installation and retain for future reference.

**Components**

**Tools required**



1 x LED mirror (screws and spacers attached)



1 x Instructions



1 x Pencil



1 x Screw driver

**Important Safety Information**

**Please read these instructions carefully before attempting to install this product. It is advisable to keep these instructions in a safe place for future reference.**

We recommend that you consult a qualified electrician. All electrical installation must be carried out in accordance with current IEE wiring regulations (BS7671).

**These products must not be modified, if any modification are made, it may invalidate the warranty and may render the product unsafe.**

This product should be used indoors.

- If in doubt installation must be carried out by a qualified electrician.
- Install on smooth flat surface(s) only.
- Do not exceed or stretch the cable length of each LED wire.
- There are 40 x 0.07W high power LED's in this mirror.
- (W)500mm x (H)600mm x (D)30mm.
- Please make sure the LED's are working correctly before commencing installation.

**Safety Instructions**

1. Before commencing installation or maintenance, isolate the main electrical supply for the appropriate circuit at the fuse board.
2. This product is only suitable for connecting to a 240V 50Hz supply.
3. The mirror should be mounted onto a secure surface.
4. When installing please take care to avoid water pipes, joints and electrical cables.

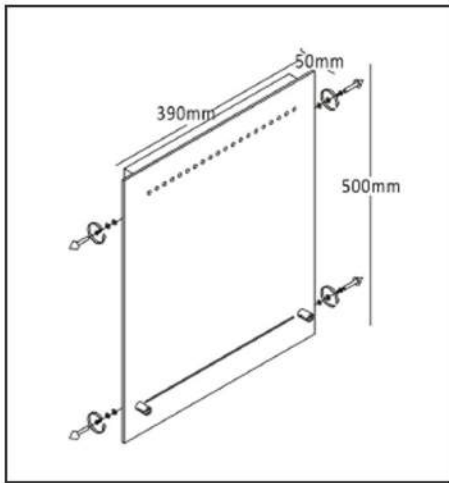
**Waste Electrical & Electronic Equipment (WEEE)**

The symbol on the product, or on the document accompanying the product, the crossed out wheellie bin symbol, indicates that this product may not be treated as household waste. Instead it shall be handed over to the applicable collection point for the recycling of electrical and electronic waste.

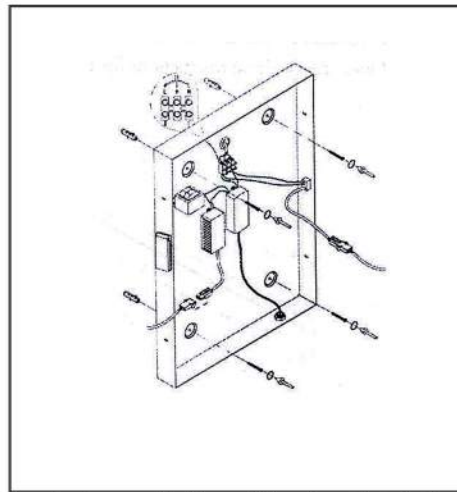


**RoHS**  
Compliant ✓

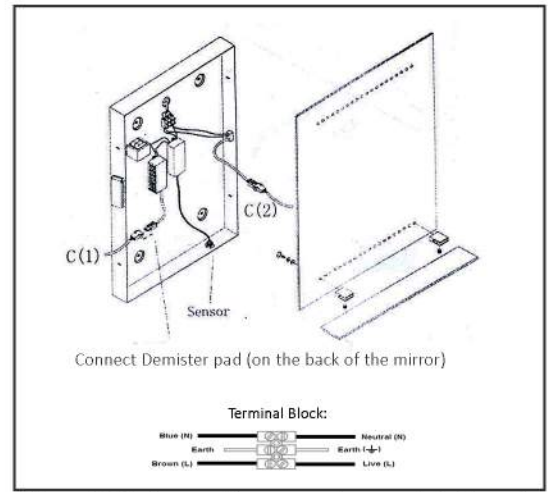




Lay the mirror on a flat surface with the front glass facing upwards. Using a Philips screwdriver, remove the four screws, along with the metal and white spacers on the sides of the mirror as shown above. Carefully lift the mirror off the back box and position it onto a soft flat surface to avoid scratching the mirror. Pierce the small protective IP rated rubber grommet (this will isolate and trap any steam to ensure maximum safety during use).



Insert a 3-core cable through the pierced hole in the protective cover, then thread the cable through from behind the back box into the power supply. Mark the position of the fixing holes in the metal back box onto the wall, carefully avoiding any wiring or water pipes. Next, drill and prepare the holes for the screws ensuring that the wall is a solid material. Mount the metal back box of the mirror onto the wall and secure tightly.

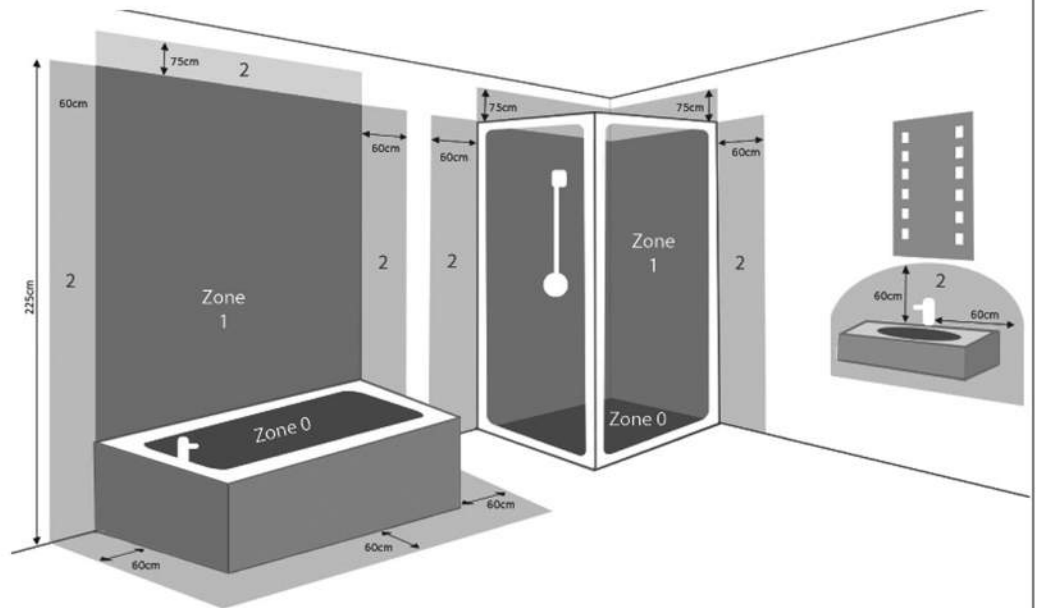


Using a flat-bed screwdriver, securely connect to the mains supply using the terminal block (incoming Neutral (blue/black) to Neutral blue and incoming Live (brown/red) to Live brown). To connect the LED's attach the male and female connectors. For the demister pad, connect the remaining male and female connectors' together. Attach the front glass panel safely onto the metal back box mounted on the wall. Secure tightly using the 4 screws and spacers. Switch on the mains electrical supply. To activate the mirror, swipe your hand under the sensor switch. To activate the demister pad, use the rocker switch.

## ZONE

- 0** Inside the bath or shower. Must be SELV (12V max.) due to water submersion. Minimum rating of IP67.
- 1** 225cm above the bath or shower. Minimum rating of IP44.
- 2** The area stretching to 60cm outside the bath or shower and 60cm from water outlet of sink. An IP rating of at least IP44 is required.

This mirror is IP44 rated and is suitable for installation in zone 2 and the outside zones.



**OUTSIDE ZONES.** Anywhere outside zones 0, 1 & 2. Where water jets are not used for cleaning purposes, the general rules of BS7671 apply.

## Maintenance & Care

- Ensure that the power is disconnected prior to cleaning.
- To keep the finish of this product, wipe over with soft cloth periodically.
- Do not use harsh chemical solvents, this may dis-colour or damage the finish.