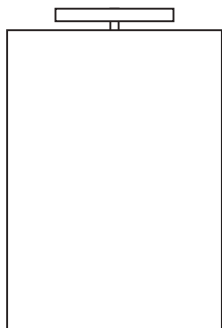
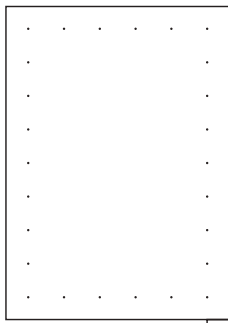


# HiB

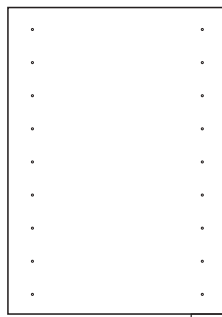
MAKING  
**BATHROOMS**  
BEAUTIFUL



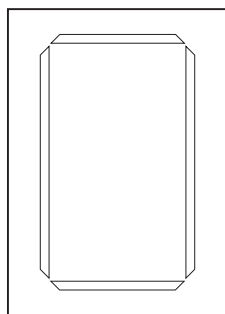
Orbital  
Art No.43300



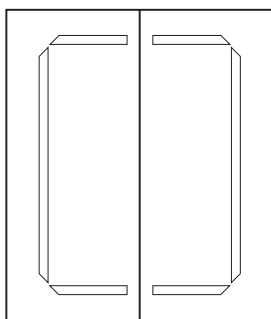
Vogue  
Art No.42900



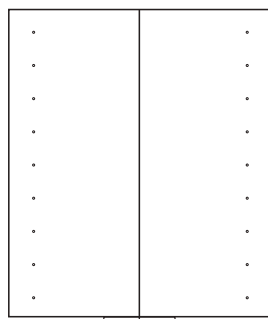
Nimbus 50  
Art No.45800



Cosmic  
Art No.43400



Zephyr 60  
Art No.45700



Nimbus 60  
Art No.45900

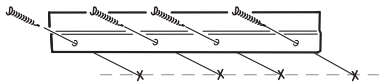
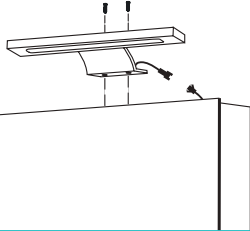
Thank you for purchasing this HiB product.

Please read through these instructions carefully and refer back to them during installation to ensure that your product is fitted safely and that it retains its high quality finish.

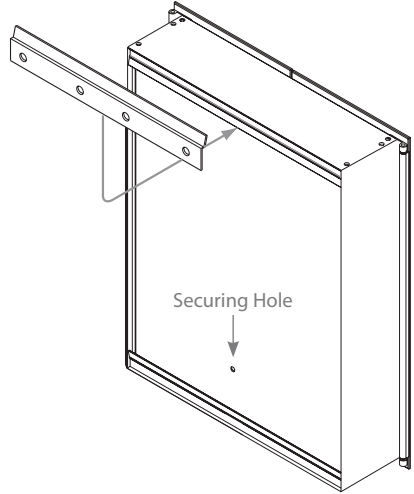
Please retain this leaflet for future reference.

Before drilling, ensure there are no hidden cables or pipes in the wall.

Attachment Light Fitting (Fig A)  
(Orbital Only)



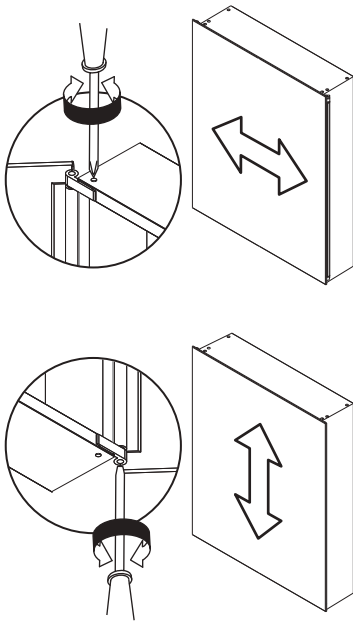
Fixing Preparation (Fig B)



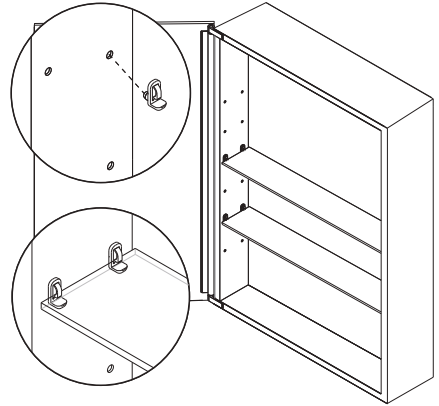
Wall Mounting (Fig C)

1. On the **Orbital** cabinet **only** attach the LED light fitting on the top of the cabinet using the pre-drilled holes and the screws provided. Push the male and female electrical connections together until they 'click'. (Fig. A).
2. Position the cabinet in a suitable location, (according to Fig. 1 on the back page), ensuring that the domestic electrical mains supply is within reach of the electrical connection point of the cabinet. Carefully mark the position of the top of the cabinet using a soft pencil ensuring it is level.
3. Remove the cabinet from the wall and using a spirit level, mark a horizontal line 50mm below the original pencil mark. Hold the mounting bracket in place with the holes corresponding with the marked line. **Ensure the bracket is central, and mark the position of the holes.** (Fig. B).
4. Drill the required holes in the marked positions. If drilling through tile, use a ceramic drill bit. Insert the wall plugs level with the surface of the wall. If fitting to a tiled surface, wall plugs should be inserted below the tile surface to avoid cracking. *NB. For plasterboard walls, specialist fixings should be purchased, available from any DIY or hardware store. Fix the bracket to the wall using the screws provided.*
5. This cabinet is provided with an electrical supply cable already fitted. This cable should be connected to the household electrical circuit, and connections should be made in accordance with the latest IEE regulations. This is a Class I product and must be connected to Earth.

**Ensure the domestic electrical mains supply to which the product is being connected is turned off. Connect the domestic mains supply according to fig. 2 on the back page.**



Door Adjustment (Fig D)



Shelf Assembly (Fig E)

6. Hang the cabinet on the wall ensuring that it is firmly located on the mounting bracket.
7. Once in position make a mark on the wall through the hole in the cabinet (Fig. C). Remove the cabinet, drill a hole in the wall at the marked position and insert wall plug. Rehang the cabinet and secure using screw, washer and cover provided.
8. Align doors according to the diagram above. (Fig. D).
9. Starting with the top shelf, insert the shelf supports in the desired position and fit the shelves. (Fig. E).

### Operation Instructions

To turn illumination on or off, wave hand under the sensor switch located at the bottom of the cabinet. Heated Pad is only on when illuminated.



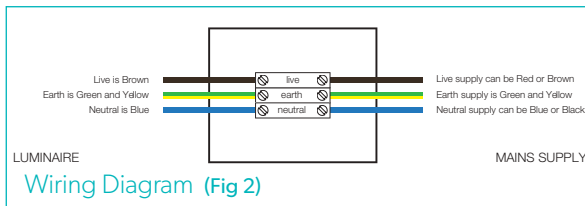
WEEE Compliance

Must not be mixed with general household waste.



**This product is suitable for installation in zones: 2 & Outside Zone (Fig1)**

All installations must comply with guidelines which are based on a zonal concept. The diagram above illustrates this concept and must be followed to ensure the safe installation of electrical appliances in the bathroom. These regulations apply to domestic installations only. Installations must be made in accordance with the current IEE wiring regulations and relevant building regulations. **HiB recommends that all electrical bathroom products should only be fitted by a suitably qualified, Part P registered electrician.**



**Please Note**

**These products must be installed with a minimum distance of 150mm between the infra-red sensor switch and any surface or object to ensure correct operation of the sensor.**

**Electrical Safety Information**

HiB recommends that all electrical bathroom products should only be fitted by a suitably qualified, Part P registered electrician in accordance with current IEE regulations. Ensure mains power supply is switched off before starting installation. Before drilling, ensure there are no hidden cables or pipes in the wall.

**Care Instructions**

Do not use abrasives or solvents when cleaning this product.  
Wipe off all water spillages as soon as possible using a soft, damp cloth.

**Aftercare Service**

In the unlikely event that this product should fail please contact HiB customer services, contact detail shown below.

**T: +44 (0)20 8441 0352 F: +44 (0)20 8441 0219 E: sales@hib.co.uk [hib.co.uk](http://hib.co.uk)**  
**Building 3, North London Business Park, Oakleigh Road South, New Southgate, London. N11 1GN**

©HiB Copyright: No part of this document may be reprinted or duplicated without HiB consent. All sizes and measurements are approximate, but we do try and make sure they are as accurate as possible. In the interest of continuous product development, HiB reserves the right to alter specifications as necessary. E & OE.