

## Cleaning

\*\*\* All chrome surfaces should be cleaned using a clean damp cloth.

\*\*\* No abrasive cleaning agents or materials should be used.

\*\*\* No chemical cleaners can be used on the glass use only mild soapy water.

## **This instruction will cover installation of the following units**

### **Codes:**

11050	11051	11052	11053	11054	11055
11063	11064	11065	11066	11067	

## Product Specification

Height: 2000mm

Glass thickness: 10mm

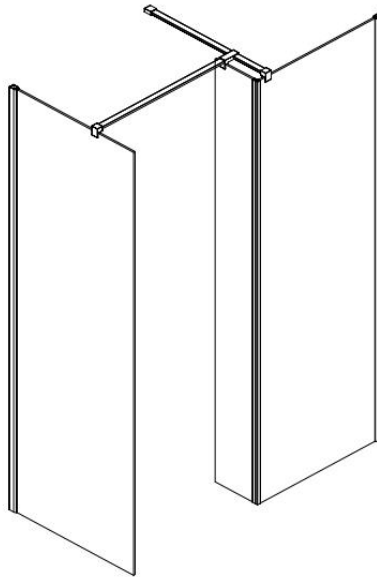
## Adjustment:

11050:	730-755mm	760mm
11051:	770-795mm	800mm
11052:	870-895mm	900mm
11053:	970-995mm	1000mm
11054:	1170-1195mm	1200mm

# Telephone

0333 777 4777

# Trinity Premium Wet Room Instruction



Images are for installation purposes only

Please retain this manual after installation for future reference and maintenance

**Product must be installed in compliance with relevant Water Bylaws**

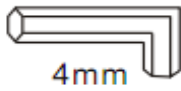
## **Importance**

- \*\*\* Handle with care, impact can damage both the glass and frame
- \*\*\* Check for pipes and wires prior to installation
- \*\*\* Use of safety equipment is advised
- \*\*\* Two people may be required part of the installation
- \*\*\* If installing on a tray , follow correct method of installation by installing the tray and tile down onto this.

## TOOLS (NOT SUPPLIED)



Rubber mallet



Allen Key (supplied



Tape



Cross Srewdriver



Spirit level



Silicone gun



Pencil


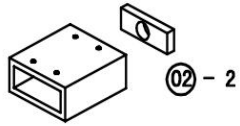

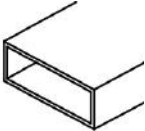

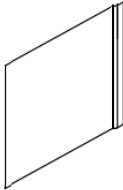




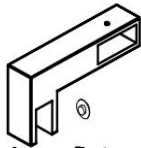

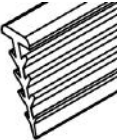
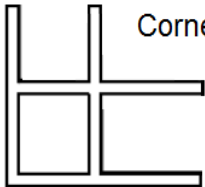
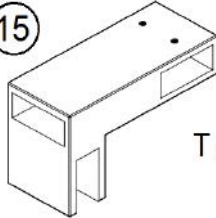


Drill



3mm Drill Bit

## Parts List

<p>01</p>  <p>plug x5</p>	<p>02</p>  <p>supporting bar fixture x1</p>	<p>03</p>  <p>screw ST4*25 x5</p>
<p>04</p>  <p>supporting bar x1</p>	<p>05</p>  <p>supporting bar connector x1</p>	<p>06</p>  <p>Front glass x1</p>
<p>07</p>  <p>screw cup x3</p>	<p>08</p>  <p>screw ST4*12 x3</p>	<p>09</p>  <p>screw decorative ring x3</p>
<p>10</p>  <p>wall profile x1</p>	<p>11</p>  <p>T shape glass fixture x1</p>	<p>12</p>  <p>Return Glass Panel x1</p>
<p>13</p>  <p>single side plastic strip x2</p>	<p>14</p>  <p>Corner profile x1</p>	<p>15</p>  <p>T shape glass clip x1</p>

# Parts Drawing

**Note: Please ensure your refer to the correct option for your assembly to ensure correct positioning the bracing bars.**

## Option A: Wet Room

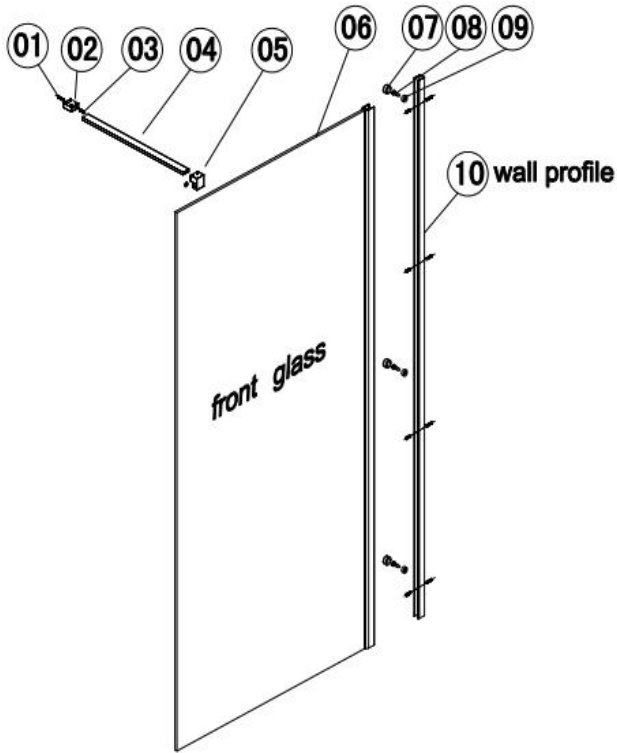


Figure 1

## Option B: Wet Room with Return Panel

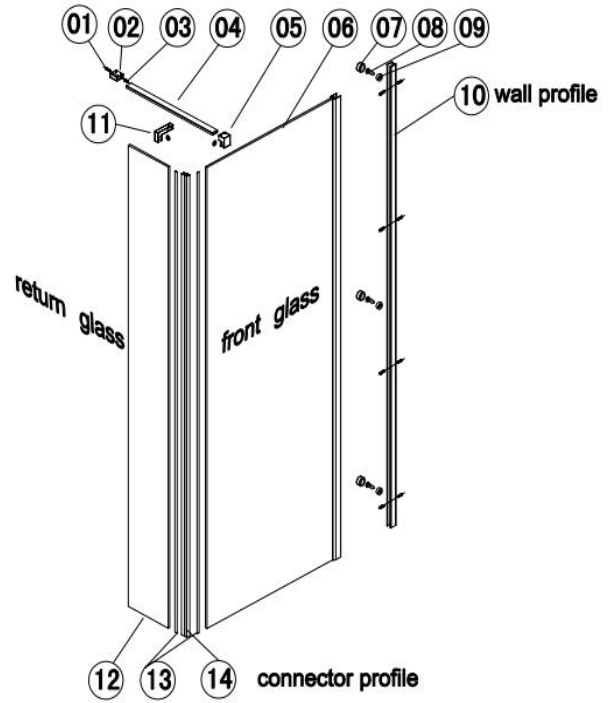


Figure 2

## Option C: Walk-in type

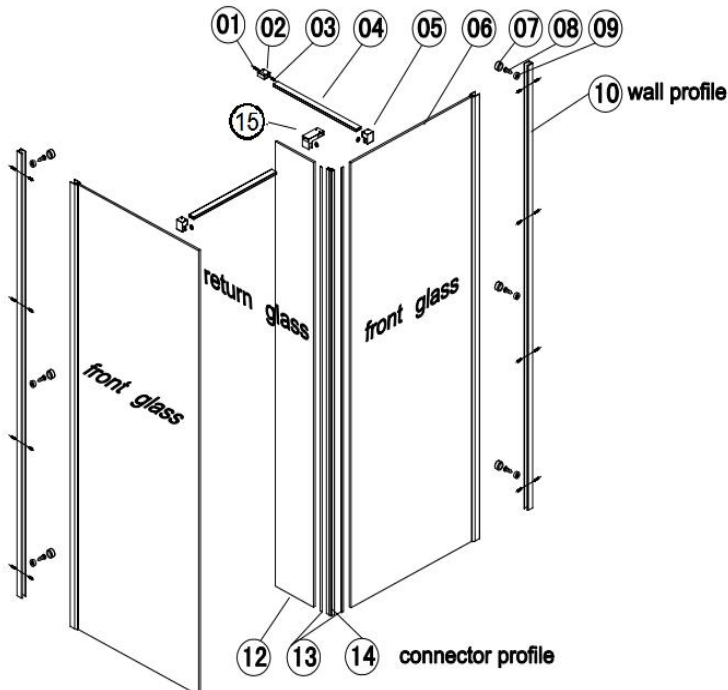


Figure 3

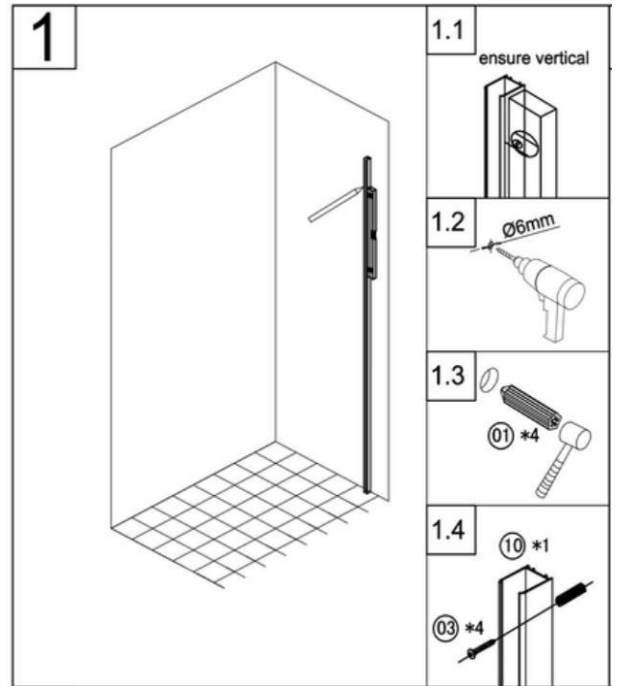
## Installation Guide

**Note:** Supporting bar is supplied with 100cm, it needs to be cut to required size

### Option A: Wet room

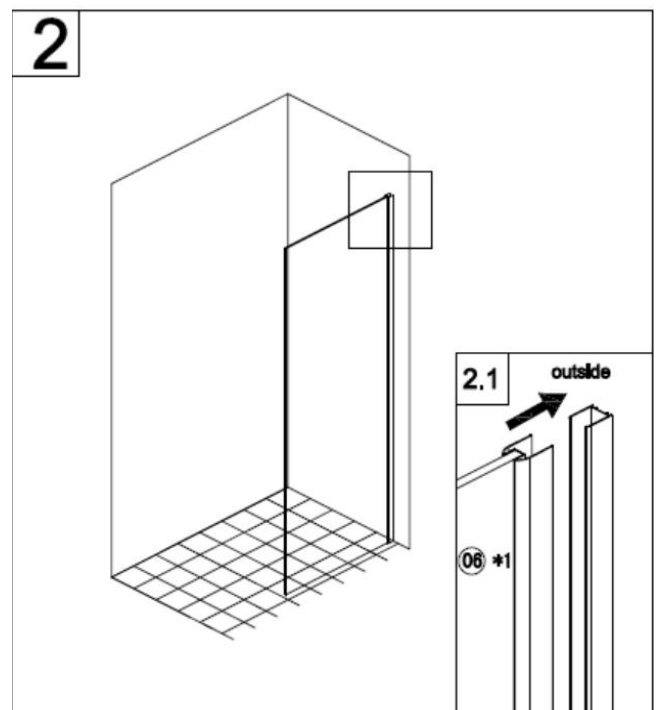
#### Step 1

- 1.1 Place the wall profile(10) to required position, ensure the profile is vertical and marked with pencil on the wall
- 1.2 Drill holes using 6mm bit
- 1.3 Tap in the plugs(1)
- 1.4 Place wall profile back to wall, fit the screws (03) \*4 into wall



#### Step 2

- 2.1 Fit the front glass(6) into the wall profile(10)  
wall profile is inside the glass profile



### Step 3

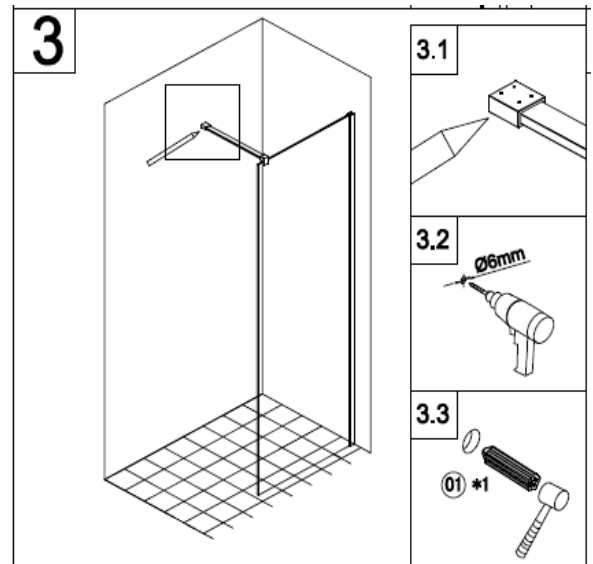
3.1

\*\*\* Measure the distance from the front glass to the wall and cut supporting bar(4) to the correct length if necessary

\*\*\* Mark the right position with a pencil

3.2 Drill a hole using a drill bit.

3.3 Using a rubber mallet to insert the wall plugs(1) into the hole



### Step 4

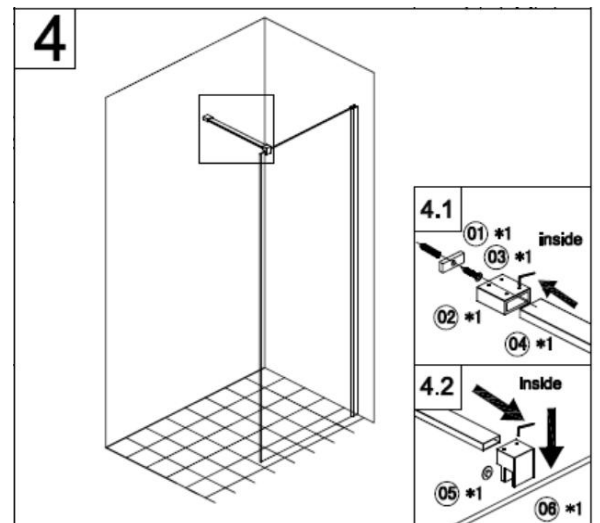
4.1

\*\*\* Place the wall fixing plate(2-2) against the hole and secure it with screw(3)

\*\*\* Put the wall fixing connector(2-1) on the (2-2)

\*\*\* Put one side of bracing bar(4) into the hole of (2-1), and the other side into the hole of the glass clip(5)

4.2 Push(5) on the front glass(6) and to be fastened to the glass from the top



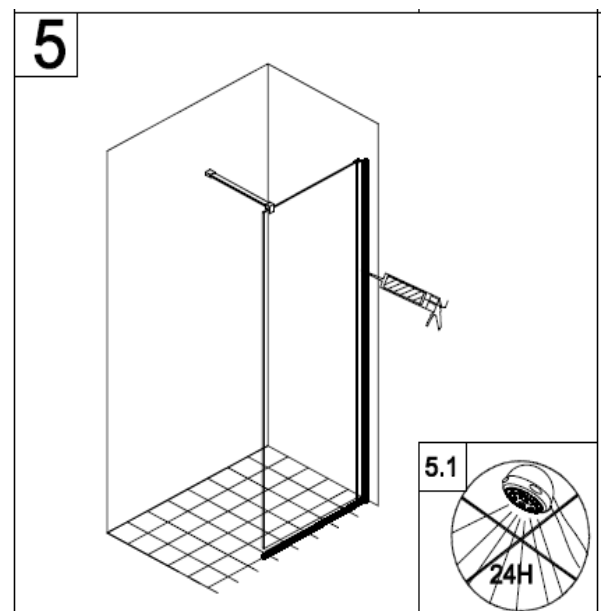
### Step 5

5.1 Apply silicone along the bottom outer edge of the frame and outer along the vertical profiles

\*\*\* Do silicone along the outside of chrome strip

\*\*\* Do not apply silicone from inside

\*\*\* Do not use the enclosure for at least 24 hours to let the silicone fully cure



## Option B: Wet Room with Return Panel

### Step 1

Refer to step 1 of option A: Wet room

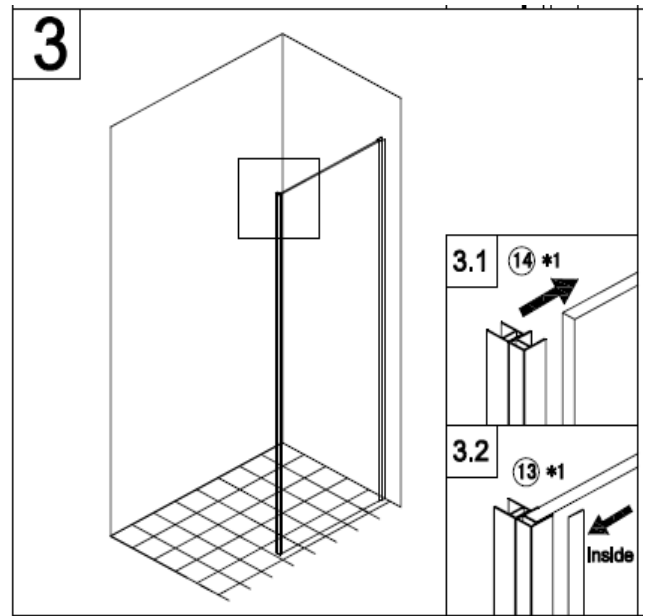
### Step 2

Refer to step 2 of option A: Wet room

### Step 3

3.1 Push one side of the coner profile(14) to the front glass(6).

3.2 Put the single side plastic strip into the corner profile



### Step 4

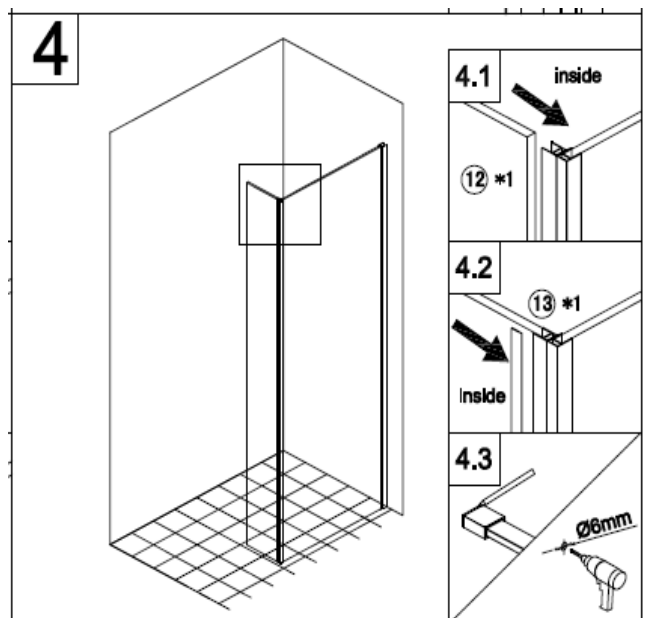
4.1 Fit the return glass panel (12) to coner profile(14)

4.2 Put the single side plastic seal (13) into corner profile to fasten the

4.3 Refer to step 3 of option A: Wet room

### Importance:

Please pre-fit the glass clip (11) to help find out the correct position for wall brackets, and then do marking as 4.3



## Step 5

### 5.1

\*\*\*Place the wall fixing plate(2-2) against the hole and secure it with screw(3)

\*\*\*Put the wall fixing connector(2-1) on the (2-2)

\*\*\*Put one side of bracing bar(4) into the hole of (2-1)

### 5.2

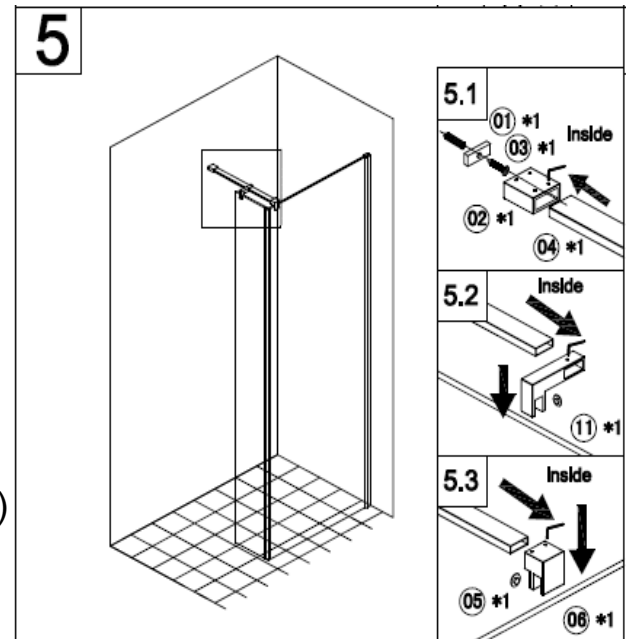
\*\*\*Put the other side of bracing bar (4) through the hole of the T shape glass fixture(11)

\*\*\*Push the other side of T shape glass fixture(11) on the return glass panel glass(12)

### 5.3

\*\*\*Put the other side into the hole of the glass clip(5)

\*\*\*Place (5) on the front glass



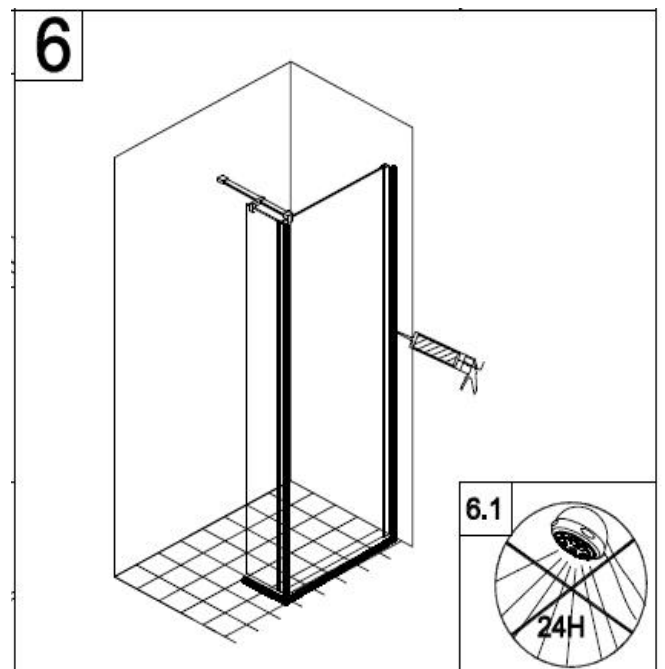
## Step 6

6.1 Apply silicone along the bottom outer edge of the frame and outer along the vertical profiles

\*\*\* Do silicone along the outside of chrome strip

\*\*\* Do not apply silicone from inside

\*\*\* Do not use the enclosure for at least 24 hours to let the silicone fully cure

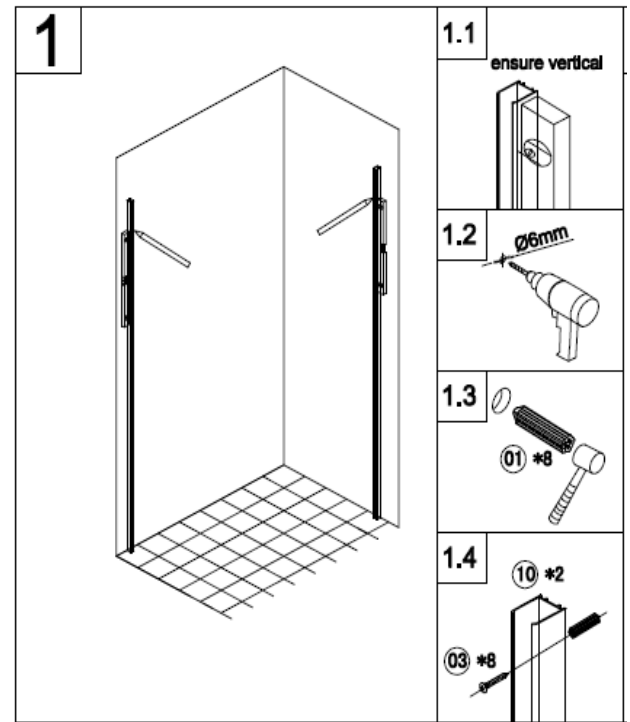




## Option C:Walk-in type

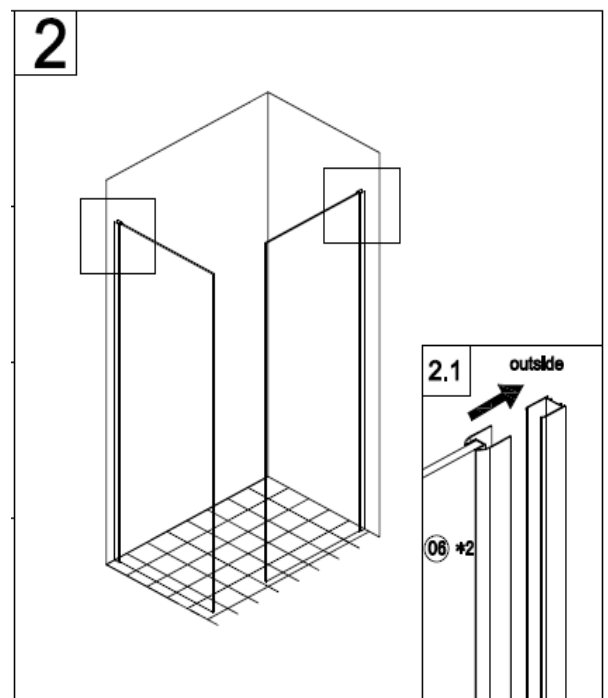
### Step 1

- 1.1 Place the wall profile(10) to required position, ensure the profile is vertical and marked with pencil on both sides of the wall
- 1.2 Refer to step 1.2 of option A: Wet room
- 1.3 Refer to step 1.3 of option A: Wet room
- 1.4 Refer to step 1.4 of option A: Wet room



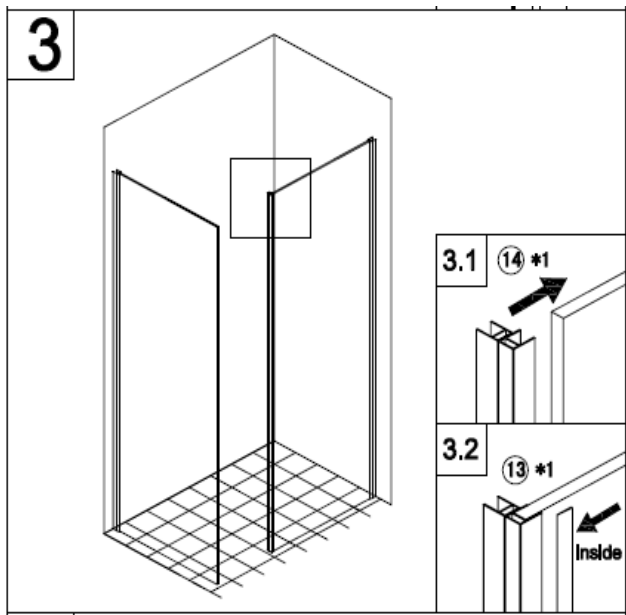
### Step2

- Refer to step 2 of option A: Wet room



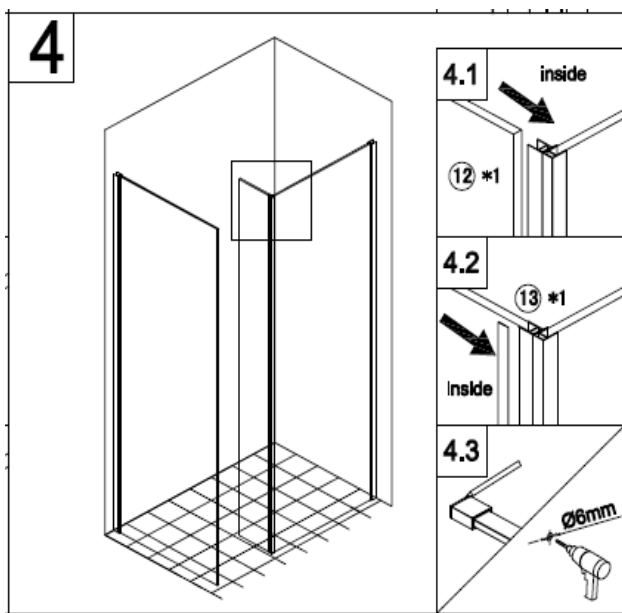
### Step3

Refer to step 3 of option B: Wet Room with Return Panel



### Step4

Refer to step 4 of option B: Wet Room with Return Panel



## Step5

5.1

Refer to step 5.1 of option B

5.2

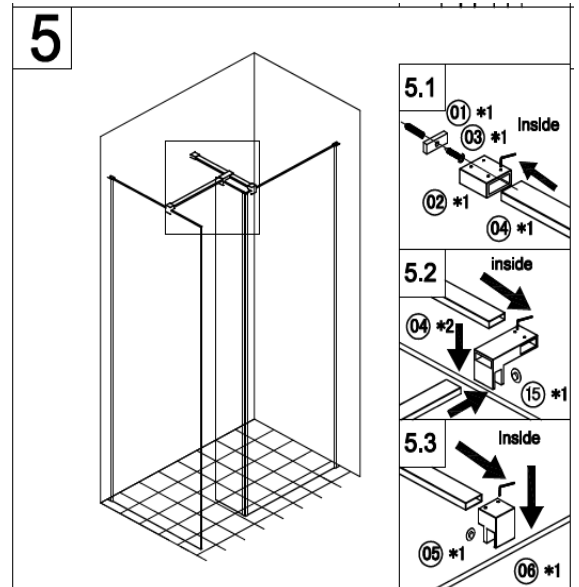
\*\*\* Slide in the connector glass clip (15) into the bracing bar, move the (15) to required position, and fit it on the return panel then place one end of the other bracing bar into the connector glass clip

5.3

\*\*\* Fit supporting bar clip(05) on both front panels

\*\*\* Tighten all the supporting bar glass clips or connector clips using screws from the top

\*\*\* Put on all screw caps



## Step6

6.1 Apply silicone along the bottom outer edge of the frame and outer along the vertical profiles

\*\*\* Do silicone along the outside of chrome strip

\*\*\* Do not apply silicone from inside

\*\*\* Do not use the enclosure for at least 24 hours to let the silicone fully cure

