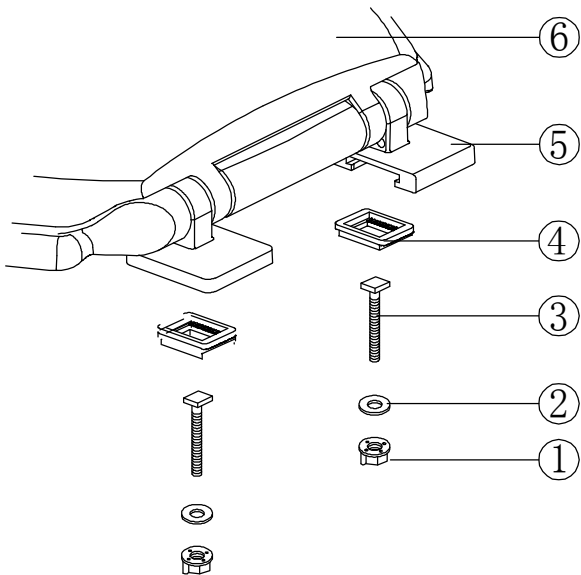


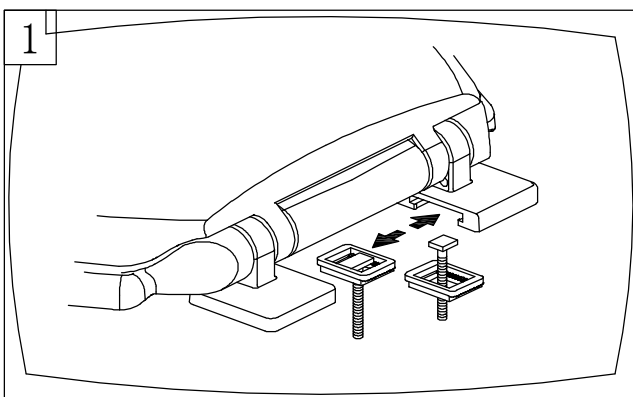
This instruction is used on code:10668

Note: Seat may require installation before fitting of the pan, please check!!!

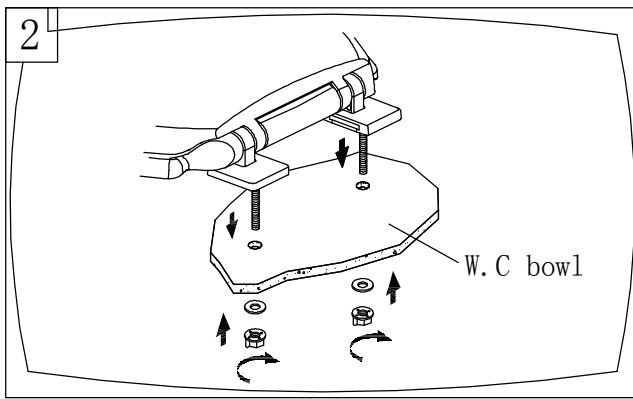
Thank you for using our products. In order to install our product, please follow the instructions below and check all components are present before commencing. Prepare all the needed tools and materials for installation



① Nut	⑤ Hinge
② Washer	⑥ Seat Cover
③ Screw	
④ Adjustment plate	



1. Fit the screw through the adjustment plate
Then put the adjustment plate into the hinge



2. Place the assembly onto the toilet and push the screws into the holes, Make the necessary adjustments to the fittings so that that the seat sits correctly on the toilet. Once correctly positioned fit the gasket and nut and secure the seat. Take care not to overtighten the fittings as doing this can crack the fittings

Importance:

- * After installation ensure the fixings are fully secured
- * No abrasive cleaning agents or materials can be used, a soft clean cloth should be used
- * During use do not push the seat down, as this will cause damage to the soft close mechanism

For further details or advise call Customer Services on 0844 484 778