

Cleaning

The product should be cleaned using a soft damp cloth, no abrasive agents or materials must be used, or this will invalidate your guarantee.

System

Please ensure before installation the minimum pressure requirement is available from the system supplying the product.

Guarantee

Please note that any extended warranty period does not include the flow control valves contained within the product.

Not covered by the guarantee is:

- Breakdown due to -
 - a) Use other than domestic
 - b) Wilful act of neglect
 - c) Any malfunction resulting from incorrect use
 - d) Incorrect setting of controls
 - e) Any malfunction resulting from poor water quality
- Repair costs for damage caused by foreign objects or substances
- Total loss of the product due to non-availability of parts
- Call out charges where no fault has been found with the product.

03/06/2016

Basin/Bath Tap Installation

If fitted, remove the backnut and washer from the tap.

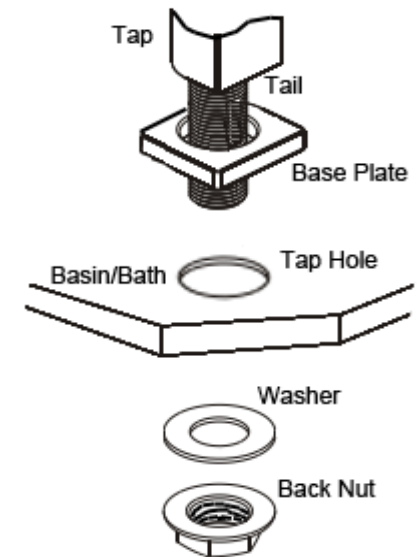
If supplied with the tap type ensure the base plate and washer are fitted to the tap tail.

Place the tap tail through the hole in the basin/bath

From underneath re-fit the washer, followed by the nut.

Ensure the tap is correctly located and tighten the nut until secure

Once fitted make the connection from the water supply to the tap tail and check for leaks.



Please retain this manual after installation for future reference and maintenance.

Product must be installed in compliance with relevant Water Bylaws