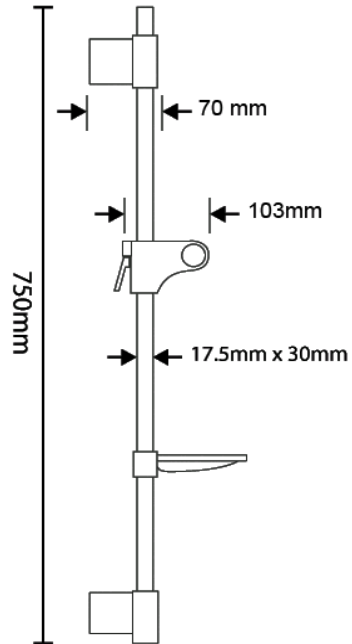
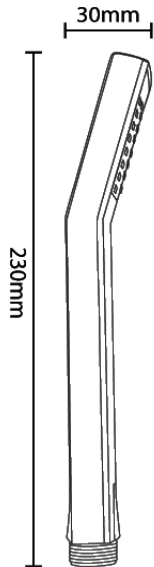


Product Specification

Minimum Working Pressure	0.2 bar (Kit only)
Maximum Working Pressure	3.0 bar
Fixing Centres	Max 680mm
Rail Length	750mm
Connections	1/2" (Hose and handset)
Hose	1.5m



Quad Slide Rail Kit



Please retain this manual after installation for future reference and maintenance.

Product must be installed in compliance with relevant Water Bylaws

Telephone
0844 484 7678

Installation

Fig 1

Remove grey plastic caps from end brackets.
Take care not to damage the product surface.

Fig 2

Hold the top bracket (open both ends) in desired location, ensuring this will not damage any pipes or wires.

Mark the drill hole, drill the hole and insert wall plug.

Secure the bracket to the wall.

Carry out the same process for the bottom bracket (closed end), but do not fit this to the wall, ensuring to align holes of bracket and rail.

Fig 3

Fit slider bracket to the rail, ensuring to press the lever to slide the bracket along the rail.

Slide the soap dish onto the rail.

Slide the rail through the top bracket which has been secured to the wall.

Fig 4

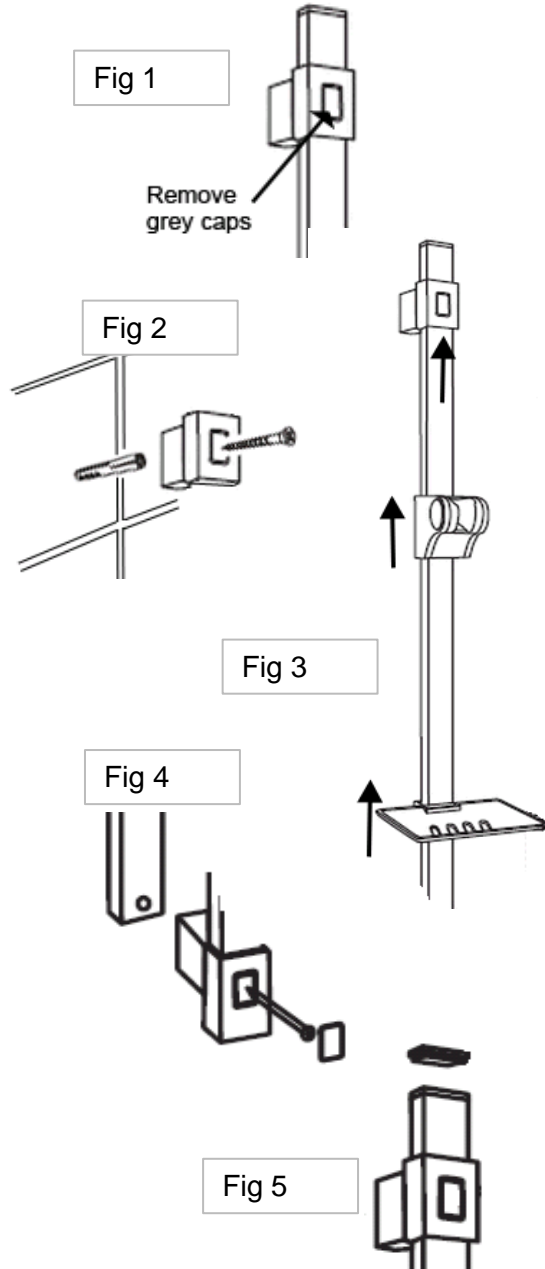
Fit bottom end bracket to the rail and align holes in bracket with holes in rail and secure to wall.

Place hose seal into cone end of hose and attach handset to hose.

Fit hose cone into slider holder.

Fig 5

Replace grey caps to end brackets and then fit chrome cap to top end of rail.



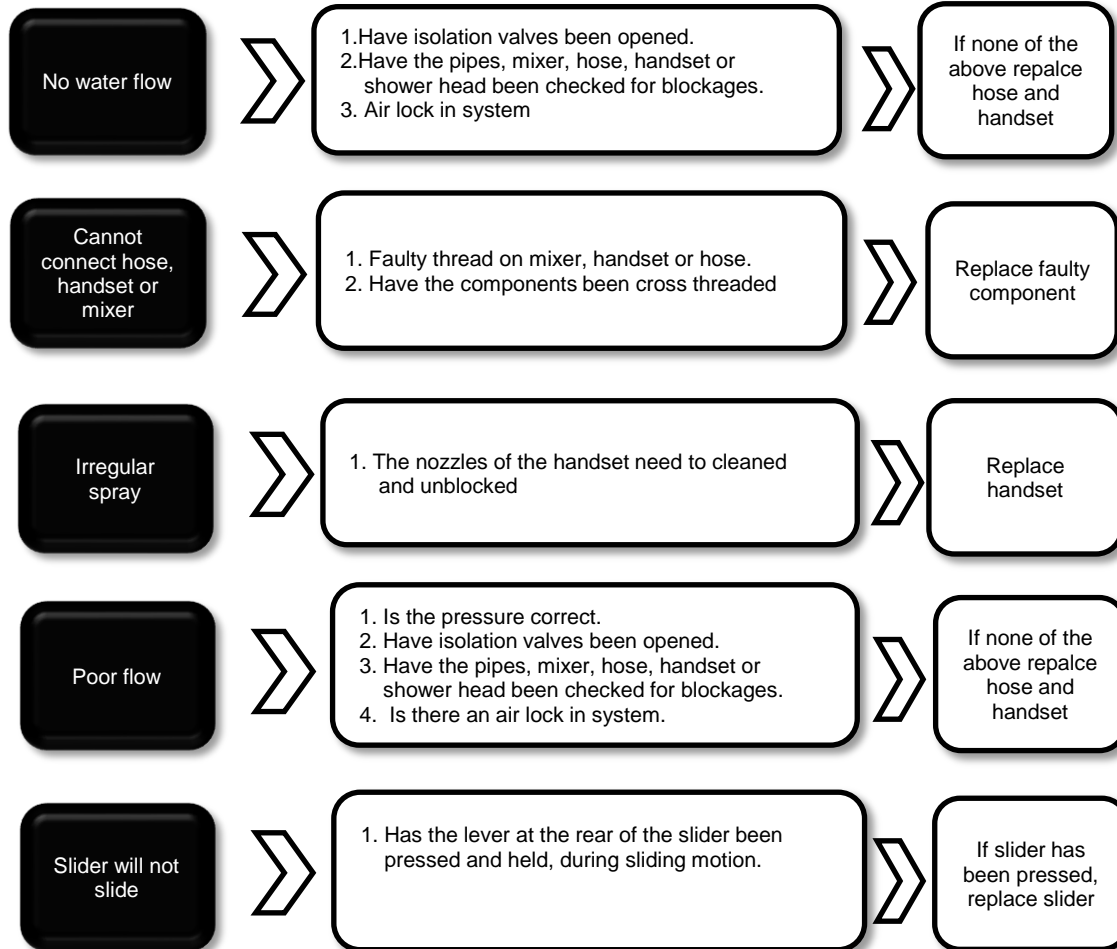
Cleaning

The product should be cleaned using a soft damp cloth, no abrasive agents or materials must be used, or this will invalidate your guarantee.

Box Contents

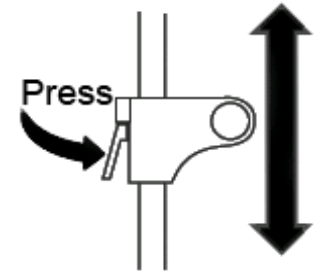
Contents		Product Details	
			Qty
1	Cap	P0001-6	1
2	Cover	P0001-5	2
3	Up wall bracket	P0017-2	1
4	Rail	P0016-2	1
5	Slider	P0015-2	1
6	Soap dish	P0024-1	1
7	Bottom wall bracket	P0017-3	1
8	Wall plugs 8*40mm	P0019-1	2
9	Screws ST-5*85MM	P0002-3	2
10	Hose SDF150	P0023-1	1
11	Washer for Hose G1/2"	P0022-1	2
12	Hand shower	P0021-2	1

Troubleshooter Guide

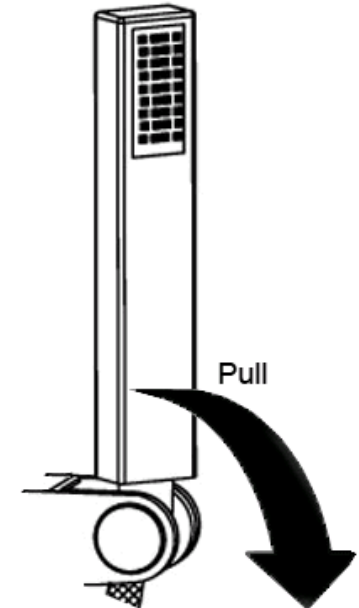


Operation

To operate the slider function, always press the lever prior to moving the slider. Press the grey lever to the back of the slider and hold whilst sliding up or down as required.



The angle of the handset can be adjusted. To do this, pull gently on the handset, just above the slider.



Guarantee

Not covered by the guarantee is:

- Breakdown due to -
 - a) Use other than domestic
 - b) Wilful act of neglect
 - c) Any malfunction resulting from incorrect use
 - d) Incorrect setting of controls
 - e) Any malfunction resulting from poor water quality
- Repair costs for damage caused by foreign objects or substances
- Total loss of the product due to non-availability of parts
- Compensation for loss of use of the product or consequential loss of any kind.
- Call out charges where no fault has been found with the product.

Not covered by the guarantee is:

- The cost of repair or replacement of pressure relief devices, spray heads, hoses, riser rails and/or wall bracket or any other accessories installed at the same time.
- The cost of routine maintenance, adjustments, overhaul, modifications, loss or damage, arising therefrom, including the cost of repairing damage, breakdown, malfunction caused by corrosion, furring, pipe scaling, lime scale, system debris or frost.

|