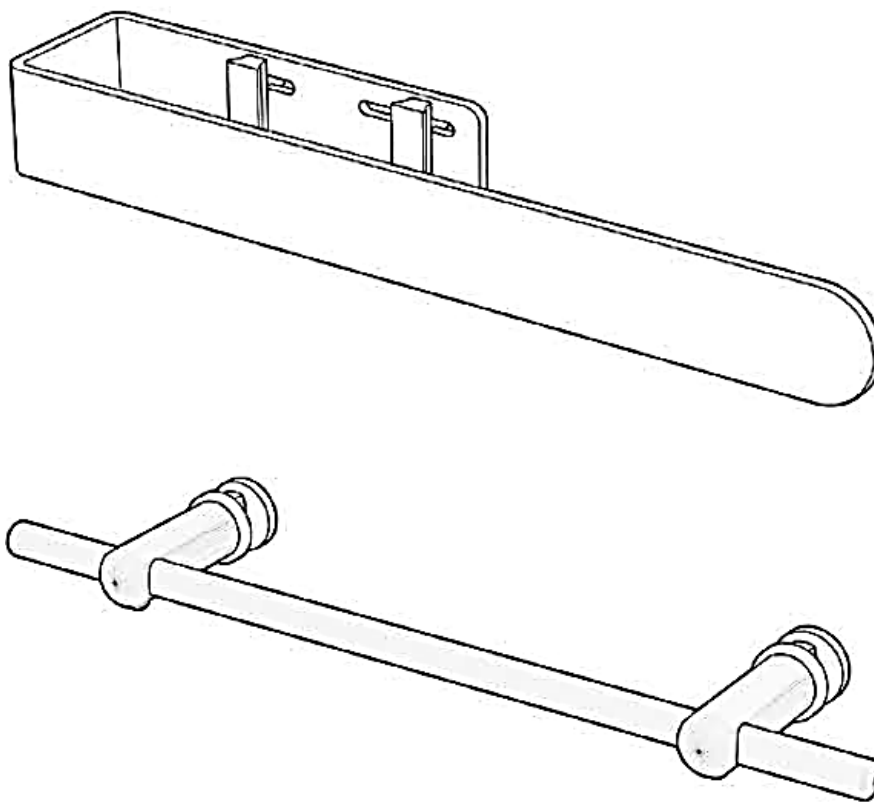


## INSTALLATION & USER MANUAL



### DESIGNER TOWEL RAILS

Thank you for choosing a Buy It Direct designer towel rail.  
Please read this user manual before using this heater and keep it safe for future reference.  
Visit our website at <https://www.appliancesdirect.co.uk/> for our entire product range.

# CONTENTS

SAFETY INFORMATION	3
PRODUCT OVERVIEW	3
PARTS LIST	4
INSTALLATION	5
TOOLS REQUIRED	5
CLEANING AND MAINTENANCE	5
TROUBLESHOOTING	6
BUY IT DIRECT UK SUPPORT	7

## SAFETY INFORMATION

- **WARNING!** Incorrect installation may cause instability, detachment, leaks or serious injury. Have a competent person fit the radiator and feet strictly in accordance with this manual and any manufacturer's instructions. Do not improvise fixings or omit required parts.
- **WARNING!** Do not climb, sit, hang or place heavy objects on the towel rail. Excessive force may damage the item, cause detachment, and result in serious injury.
- Children should not play with the towel rail.
- **WARNING! Small parts.** Keep the cover, cable clips, and any loose components out of reach of children to prevent choking hazards.
- Confirm that all parts are present before starting and use only the tools specified in this manual to avoid damage or improper installation.
- Turn off the central heating and isolate the water supply before starting work. Drain the radiator if required and relieve system pressure.
- **WARNING!** If the radiator is electric or has electrical components, isolate the electrical supply at the consumer unit and confirm isolation with a suitable tester before working on electrical parts.
- Never lift the radiator by the towel rails.
- Ensure the towel rail is level and that all fixings are correctly tightened. Check fixings regularly for loosening and retighten securely without over-tightening.
- All diagrams are for illustration only; the radiator and parts supplied may differ in appearance. Contents can vary depending on the specific model and style.
- Before installation, please read the relevant safety information from your radiator's manual and this one.

## PRODUCT OVERVIEW

Model Number (SKU)	Dimensions (H × W × D mm)	Colour
TRW23	230 × 20 × 30	White
TRB23		Black
TRDG23		Anthracite
TRW32	320 × 20 × 30	White
TRB32		Black
TRDG32		Anthracite
TRW42	420 × 20 × 30	White
TRB42		Black
TRDG42		Anthracite
TRW52	520 × 20 × 30	White
TRB52		Black
TRDG52		Anthracite
TRW62	620 × 20 × 30	White
TRB62		Black
TRDG62		Anthracite

WMTRW32	320 × 40 × 80	White
WMTRB32		Black
WMTRDG32		Anthracite
WMTRW42	420 × 40 × 80	White
WMTRB42		Black
WMTRDG42		Anthracite
WMTRW52	520 × 40 × 80	White
WMTRB52		Black
WMTRDG52		Anthracite
WMTRW62	620 × 40 × 80	White
WMTRB62		Black
WMTRDG62		Anthracite

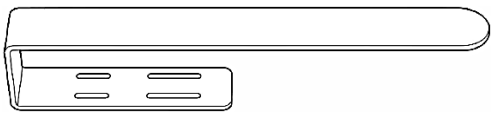
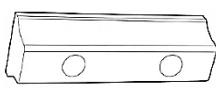
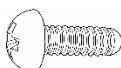
### MODEL BREAKDOWN

WM – Suitable for wall-mounted models  
TR – Towel Rail


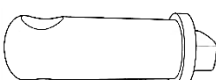
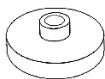
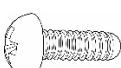
W – White, B – Black, DG – Anthracite  
XX – Height in cm

### PARTS LIST

#### For Flat-rack Models

Image	Description	Quantity
	Towel Rail	1
	Fixing bracket	2
	Screw	4

#### For Round-rack Models

Image	Description	Quantity
	Rod	1
	Fixing bracket	2
	Gasket	2
	Screw	4

# INSTALLATION

## TOOLS REQUIRED



Screwdrivers



Drill



Tape Measure

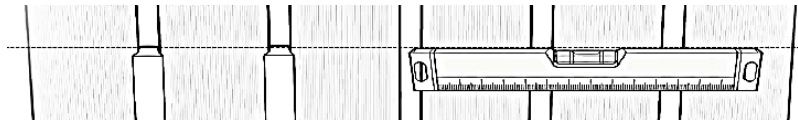


Spirit Level

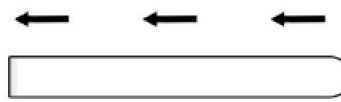
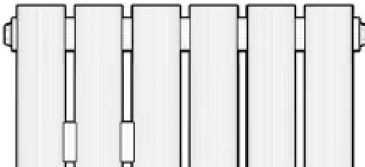
## Flat Towel Rail Installation

### Step 1: Position the Fixing Brackets

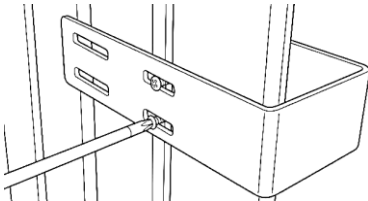
Place the two fixing brackets directly against the radiator at the desired height. Ensure this is level with a spirit leveller.



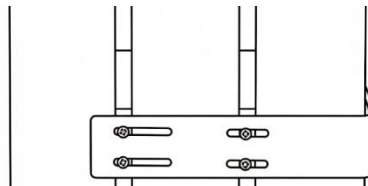
1)



2)



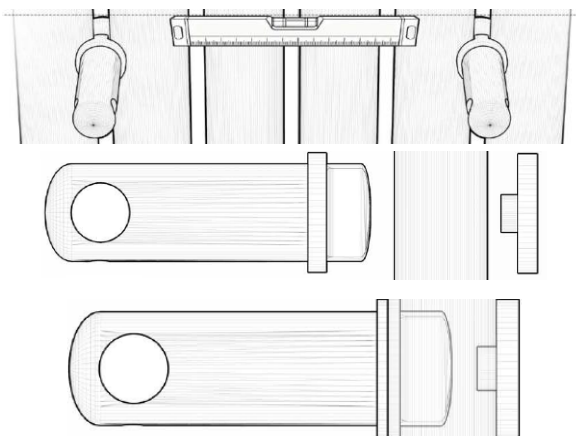
3)



### Step 2: Attach the Towel Rail to the Fixing Brackets

Hold and align the towel rail fixing holes over the fixing bracket screw holes. Insert four screws — one through each towel-rail hole and into the fixing bracket — and tighten all four screws until the towel rail is firmly secured.

## Round Towel Rail Installation

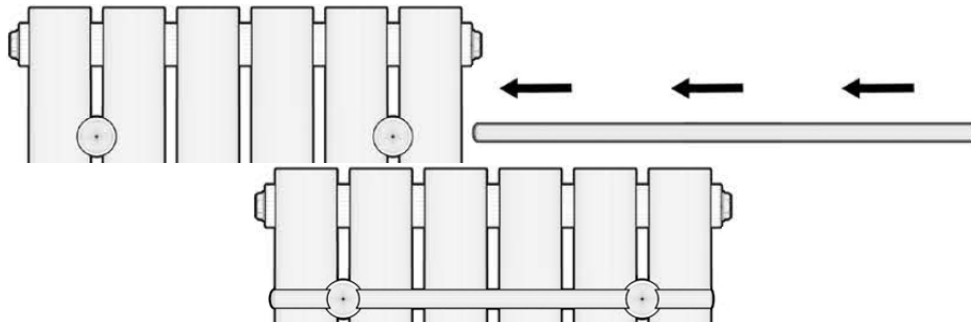
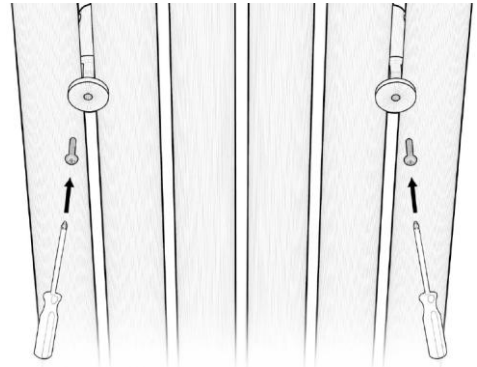
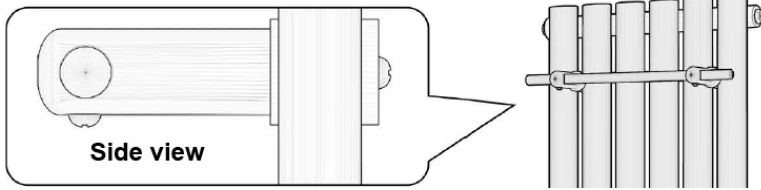


### Step 1: Position the Fixing Brackets

Place and mark the desired height on the radiator for the two fixing brackets. Ensure this is level with a spirit leveller. Hold the fixing bracket on one side of the radiator and place the gasket on the opposite side, aligning their screw holes.

**Step 2: Secure Bracket to Gasket**

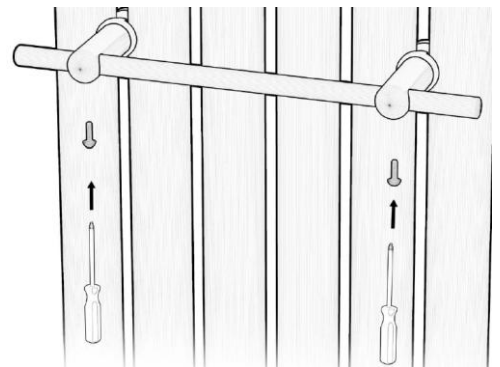
Insert the screws from the outside (gasket side) and tighten them into the fixing bracket until both parts are firmly clamped to the radiator.



**Step 3: Insert the Rod**  
Slide the rod through the fixing bracket.

**Step 4: Lock the Rod**

Insert and tighten the screw underneath each fixing bracket to secure the rod in place.



**CLEANING AND MAINTENANCE**

Wipe the towel rails regularly with a soft, damp cloth and a mild soapy water solution. Do not use any abrasives, bleach or chlorine when cleaning. Do not scrub with anything hard, as this will damage the coating.

**TROUBLESHOOTING**

FAULT	POSSIBLE CAUSE	REMEDY
The towel rail feels loose or moves	Fixing screws not fully tightened; the bracket not clamped securely	Check all screws (including underside rod-locking screws) and tighten until secure
Rod slides or rotates.	Underside locking screw not tightened	Tighten the screw underneath each fixing bracket to lock the rod
Towel rail not level	Brackets positioned unevenly during installation	Loosen screws, realign brackets using a spirit level, then retighten
The bracket does not clamp securely to the radiator	Gasket and bracket misaligned; screws inserted from the wrong side	Re-align the gasket and bracket; ensure screws are inserted from the gasket side into the bracket, then tighten evenly
Rattling or slight movement when touched	Uneven tightening or minor settling after installation	Recheck all screws and tighten gradually and evenly

## **Buy It Direct UK SUPPORT**

Call 0330 390 3061 or complete the online form for any issues that are unrelated to your central heating system.

Office hours: 9 AM - 5 PM, Monday to Friday

<https://www.appliancesdirect.co.uk/>

**Unit 2A, Trident Business Park,  
Neptune Way, Leeds Road, Huddersfield, HD2 1UA**