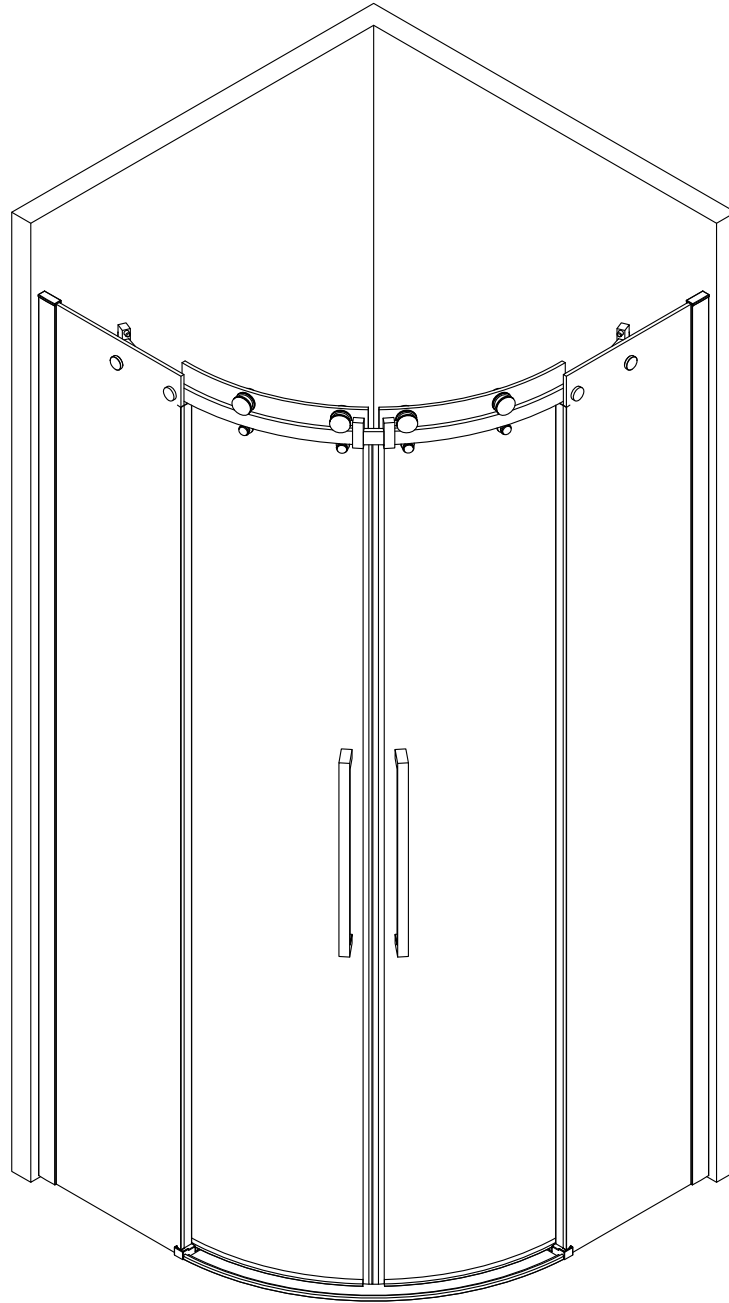
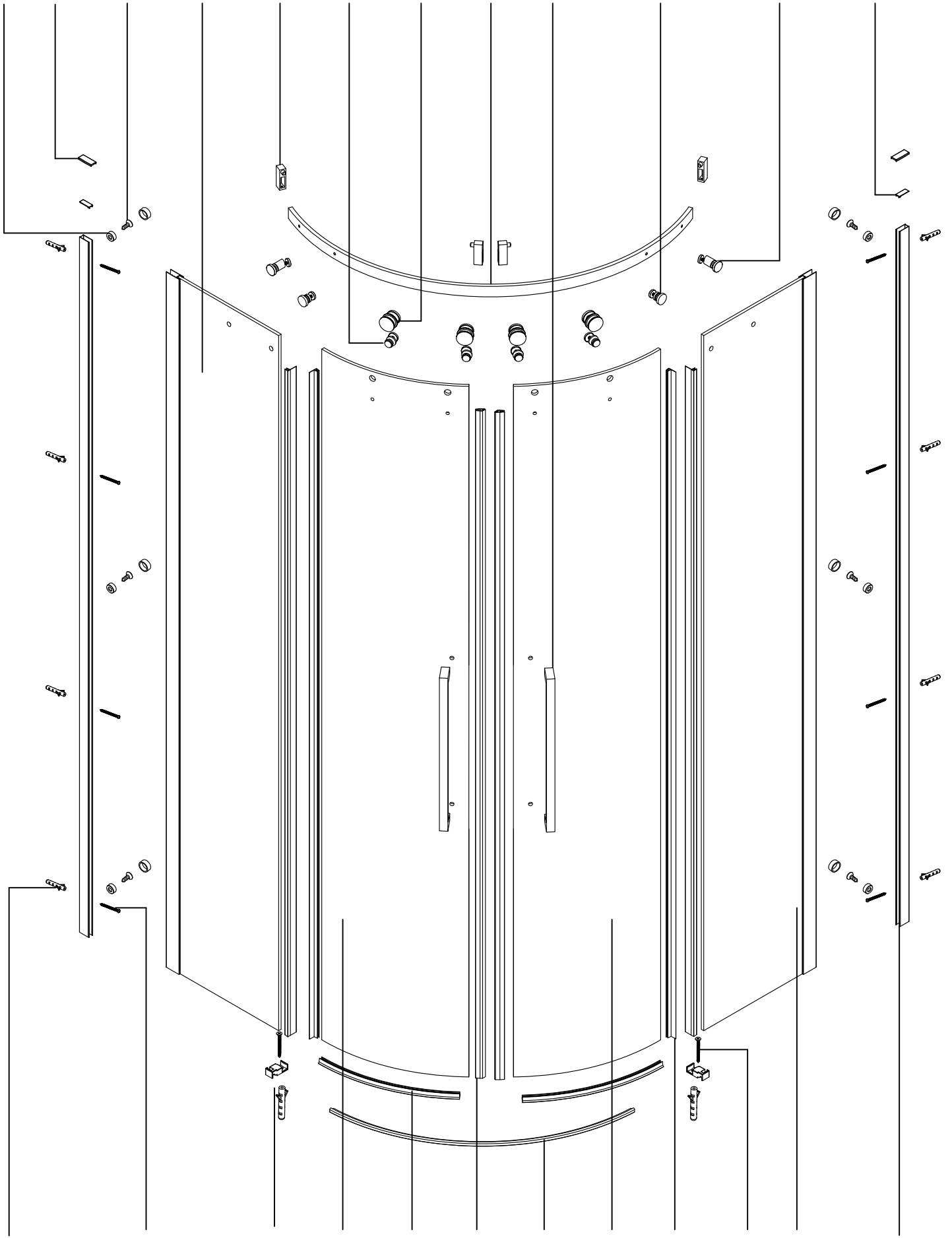


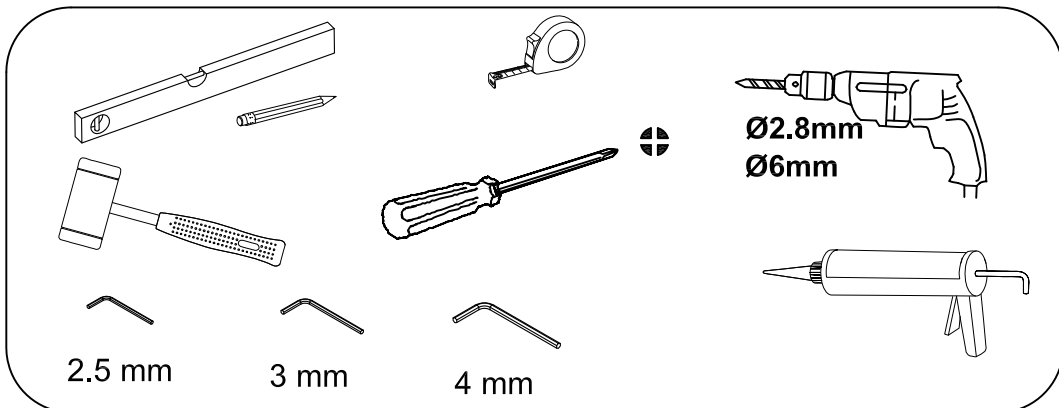
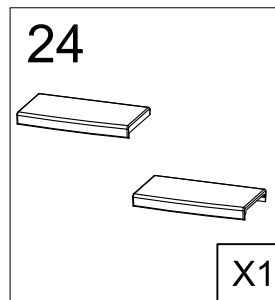
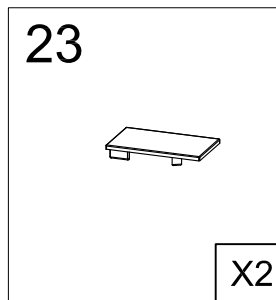
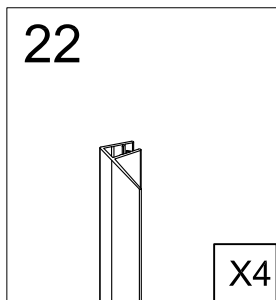
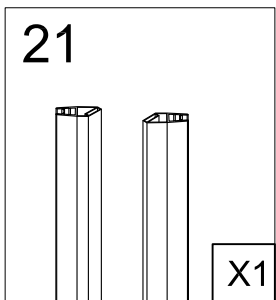
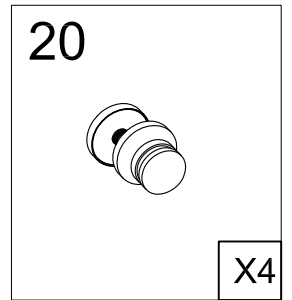
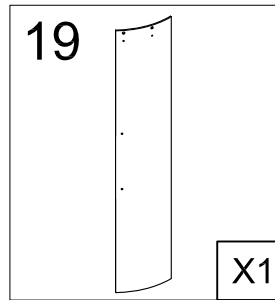
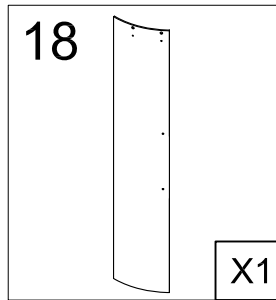
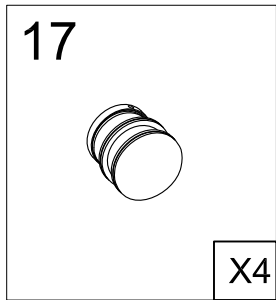
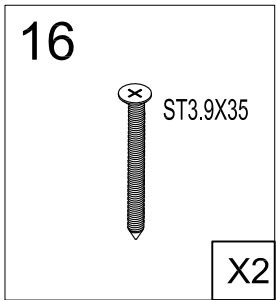
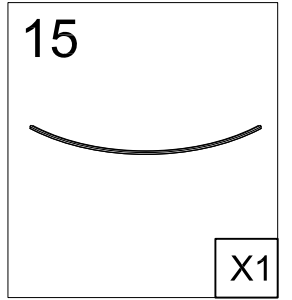
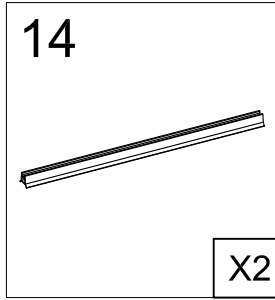
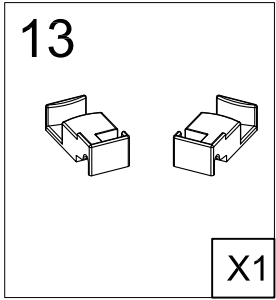
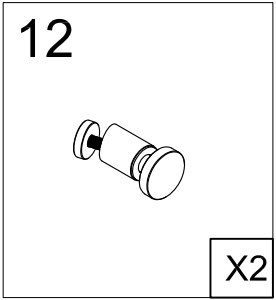
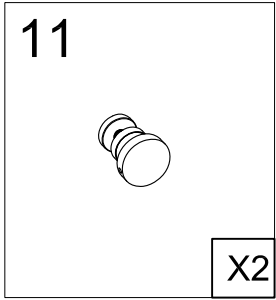
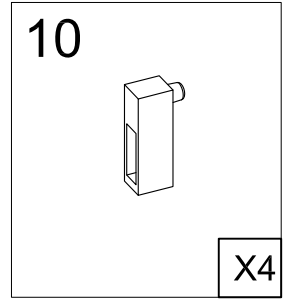
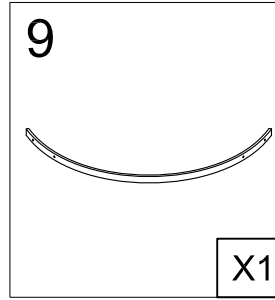
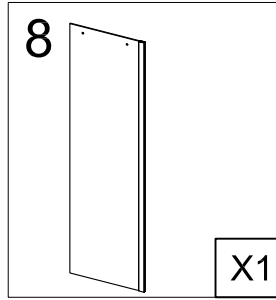
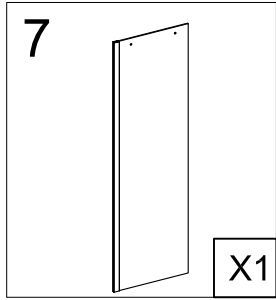
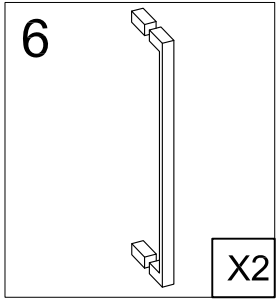
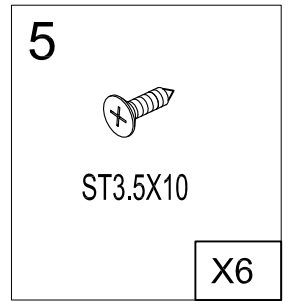
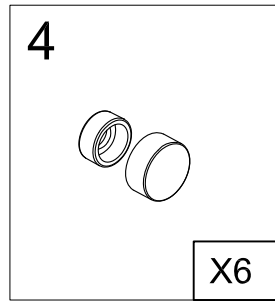
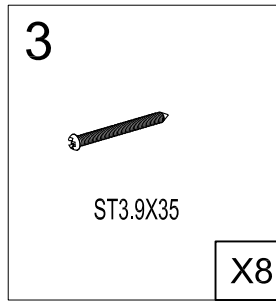
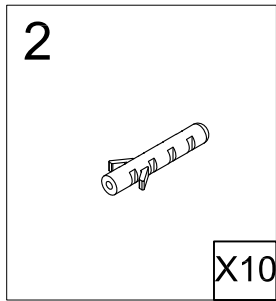
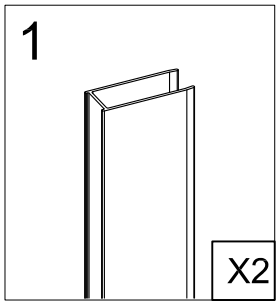
SEDSQ908

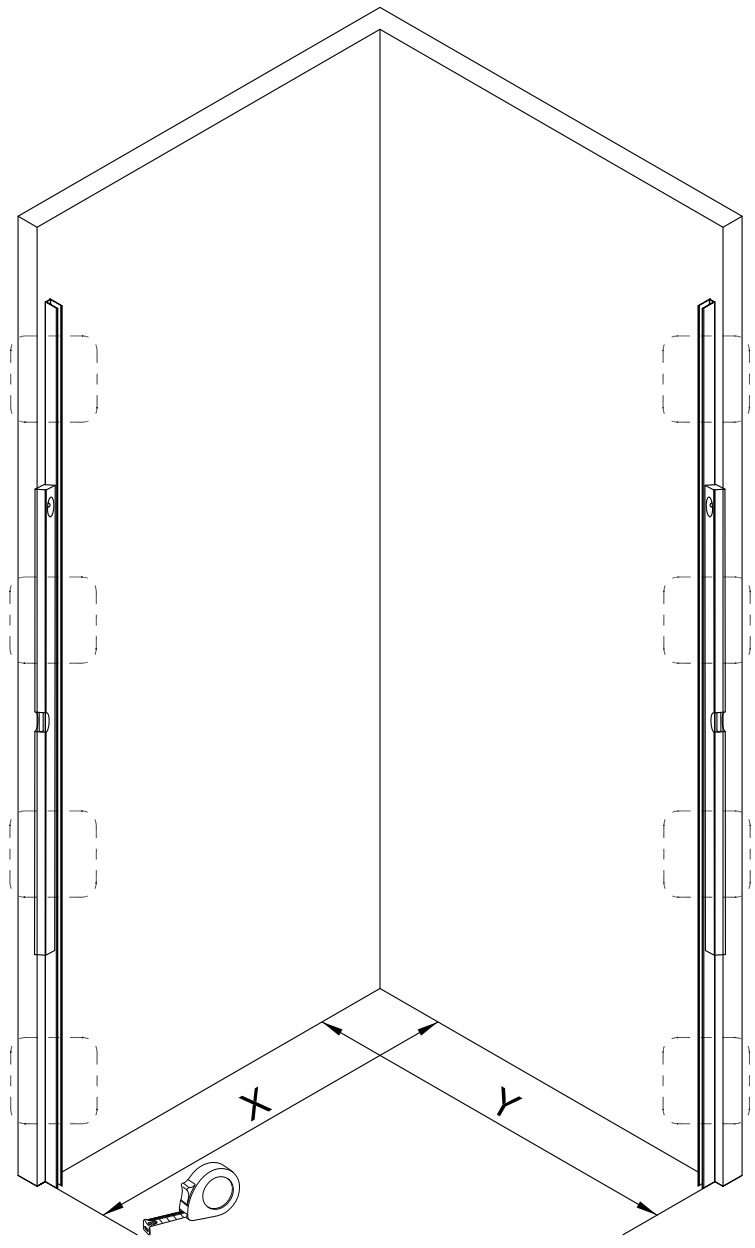
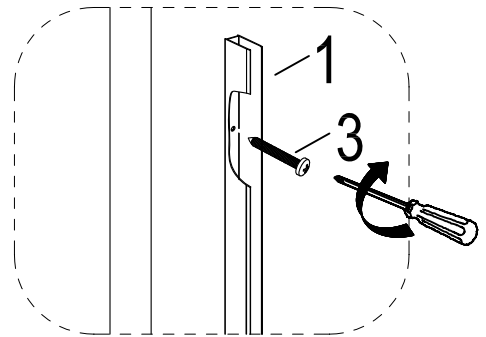
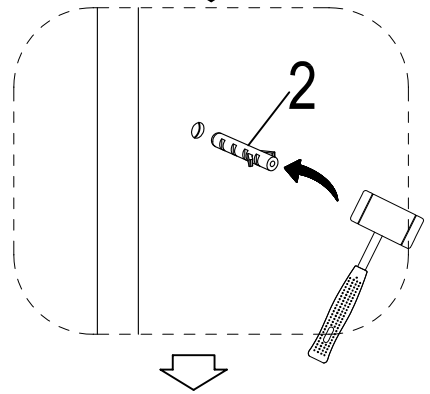
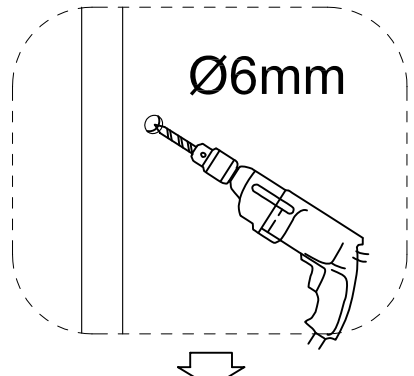
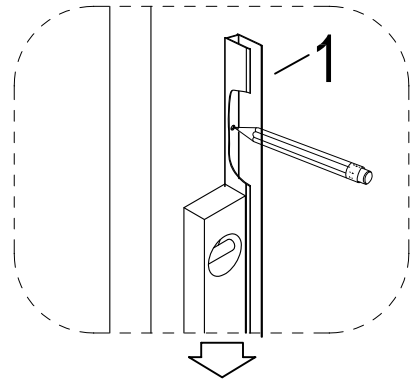
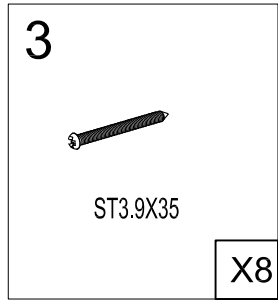
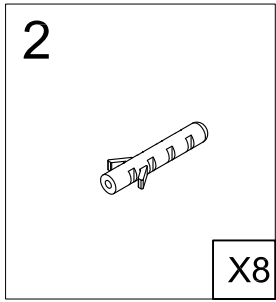
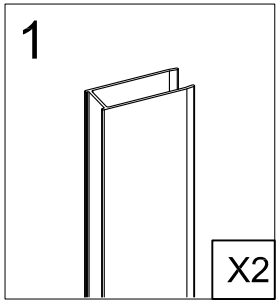
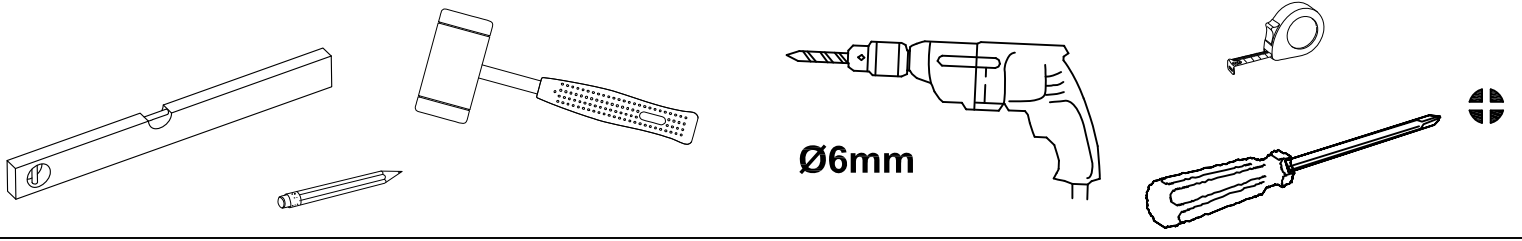


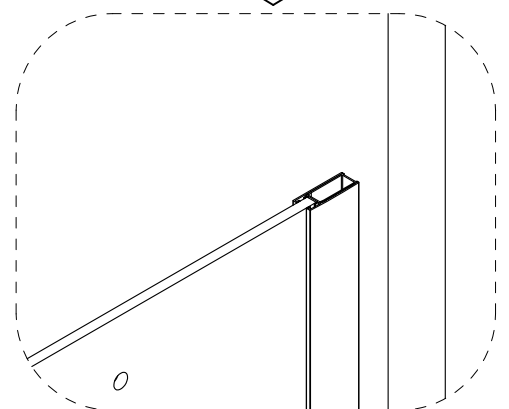
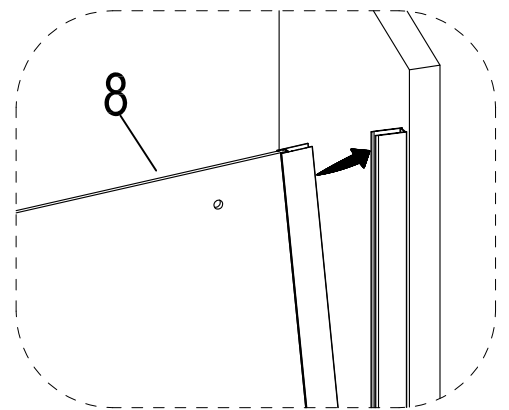
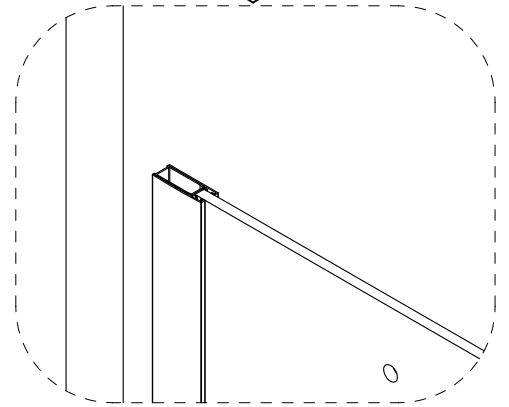
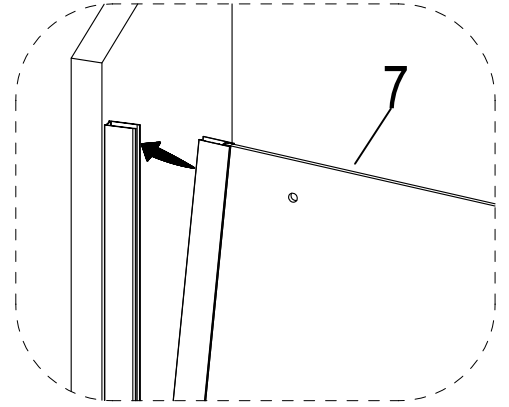
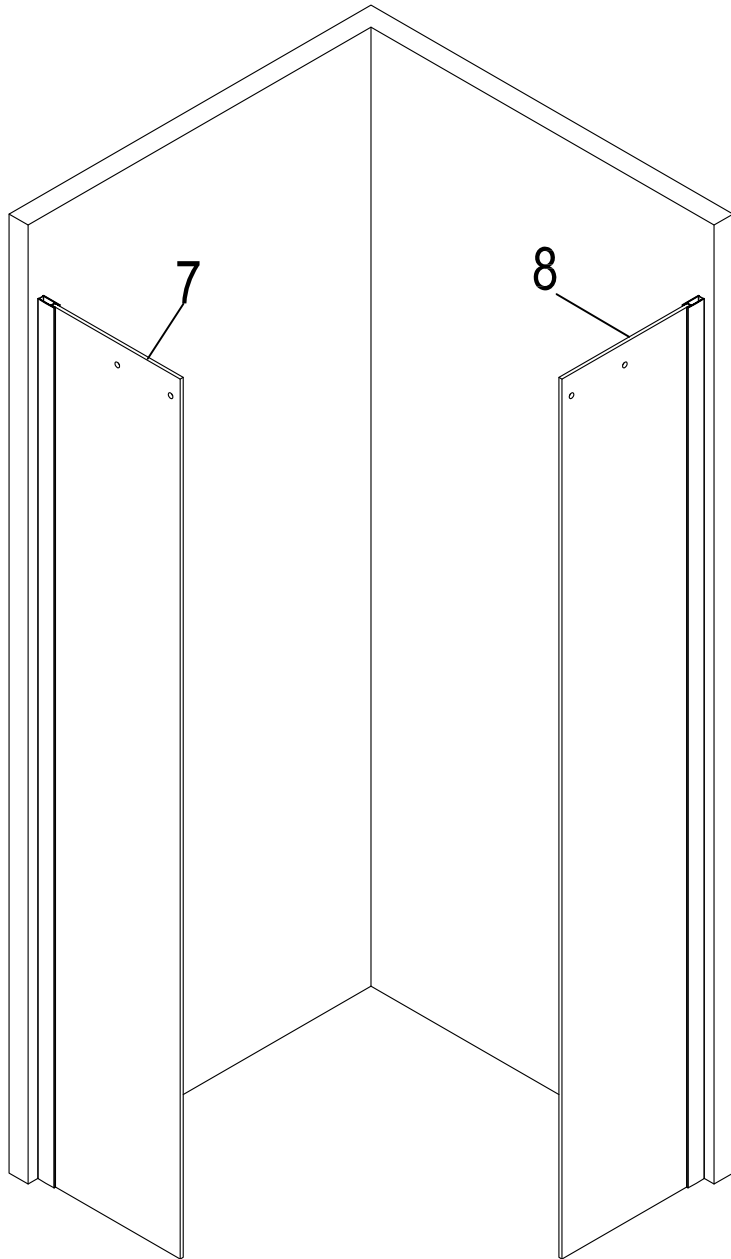
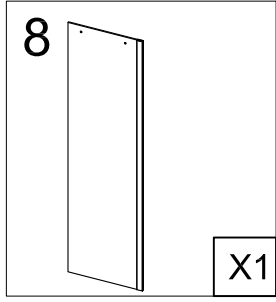
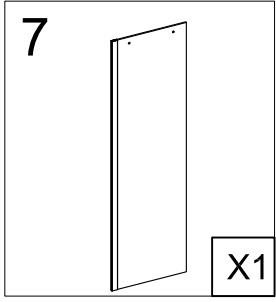
4 24 5 7 10 20 17 9 6 11 12 23

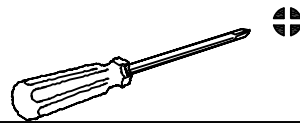
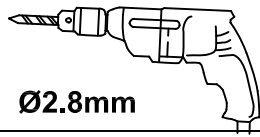


2 3 13 18 14 21 15 19 22 16 8 1

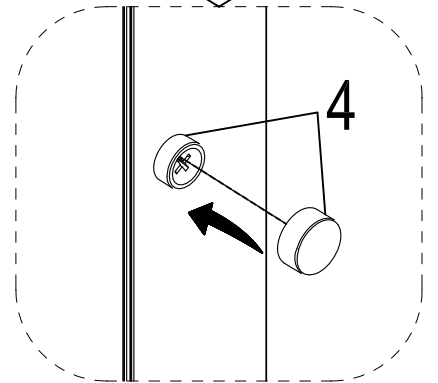
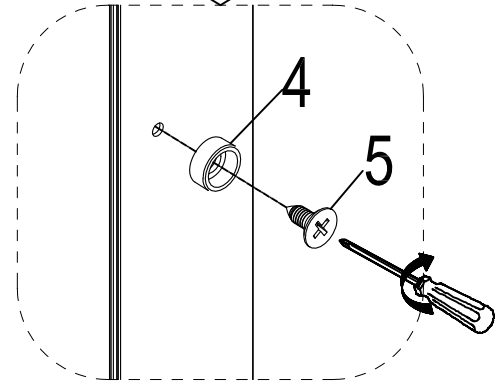
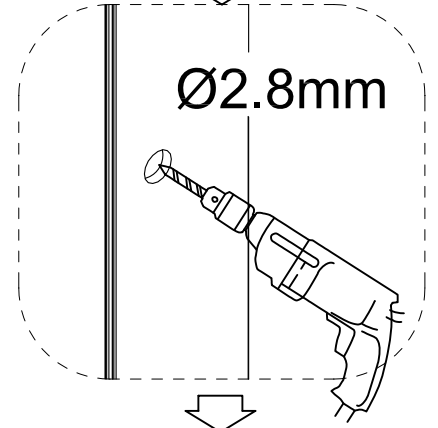
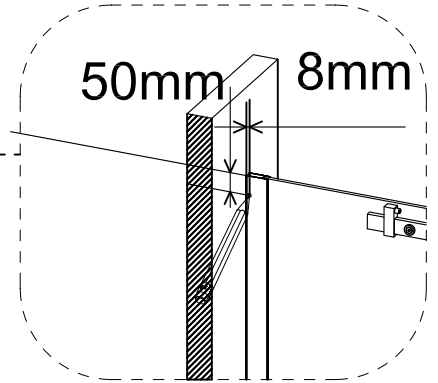
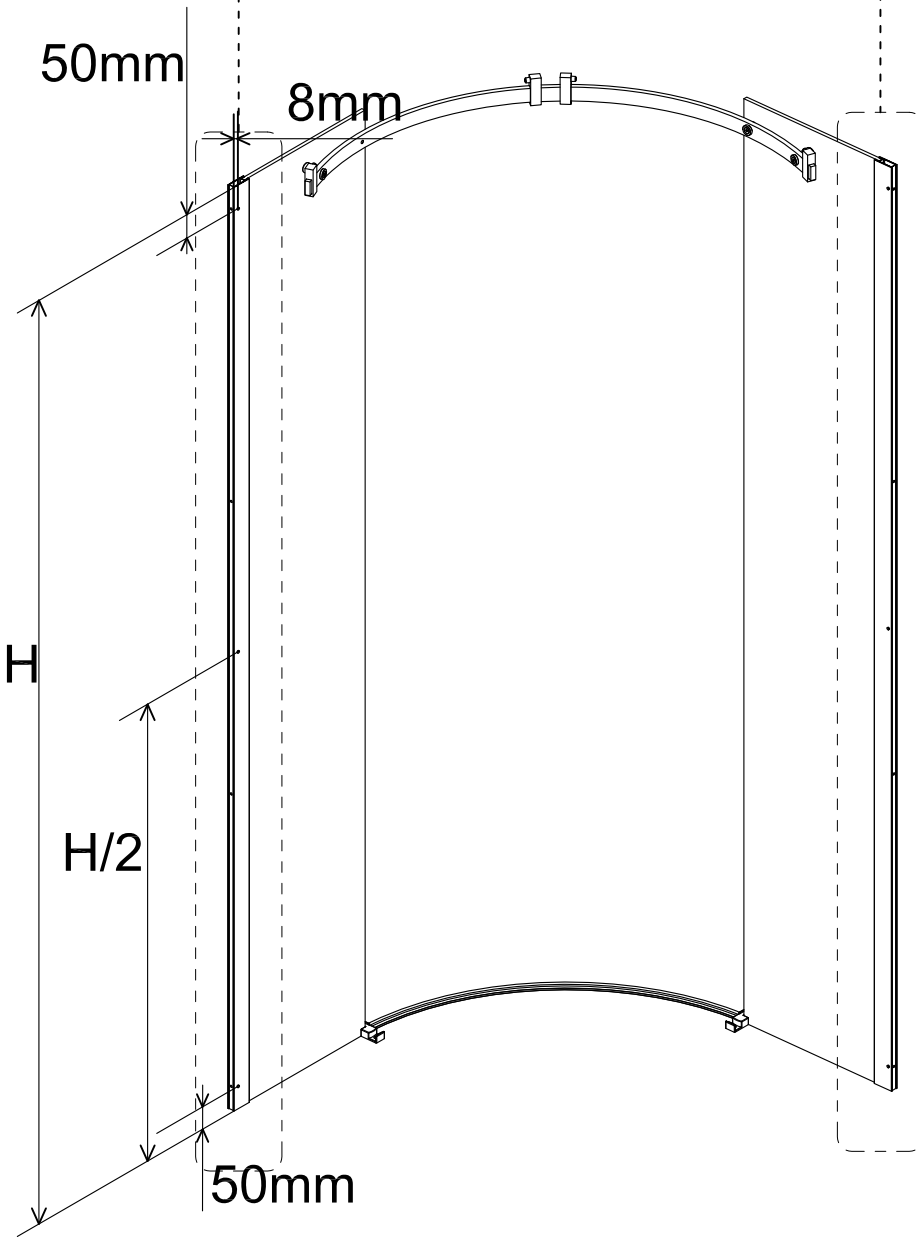
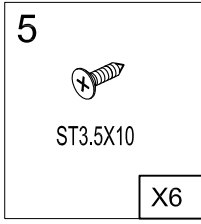
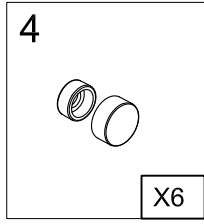








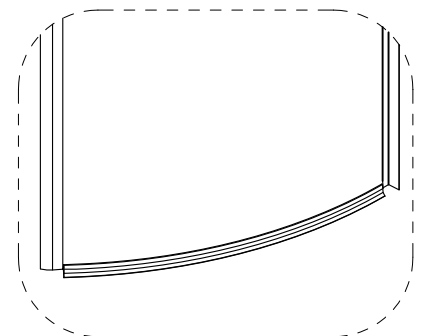
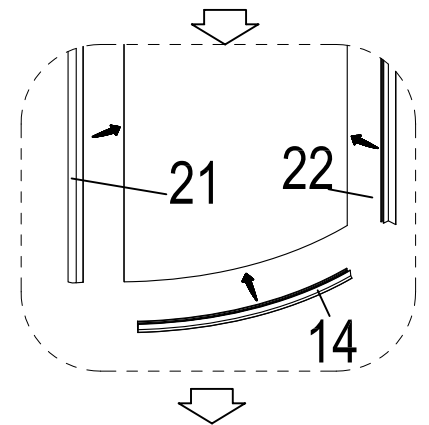
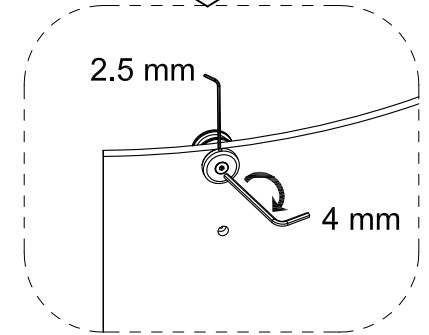
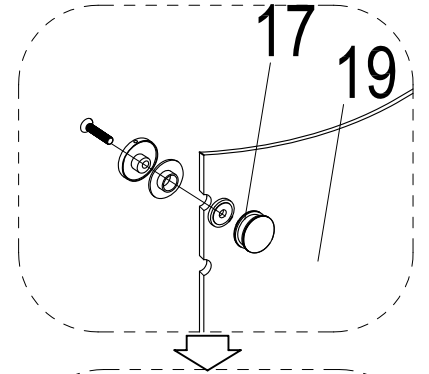
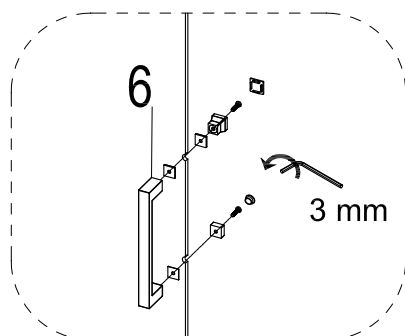
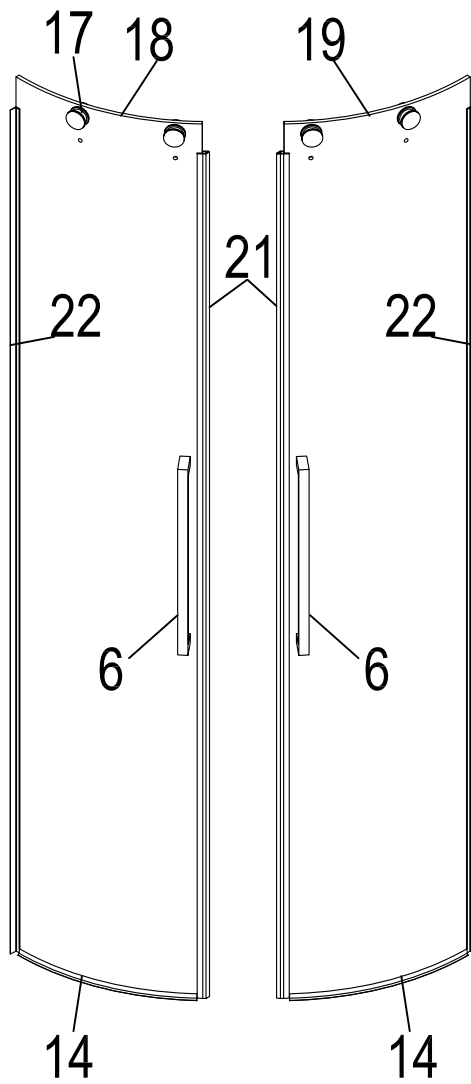
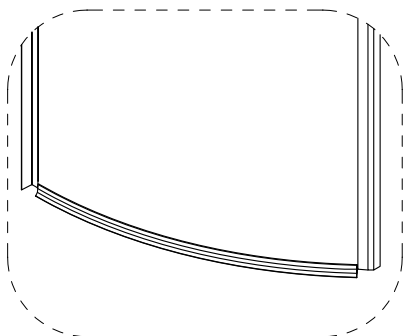
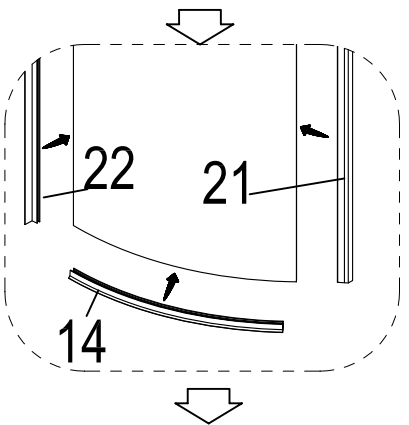
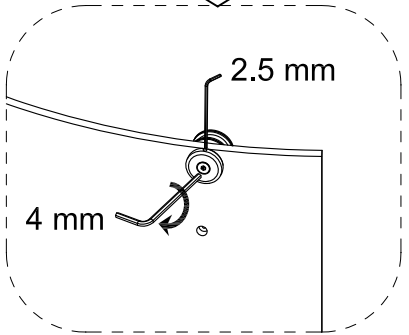
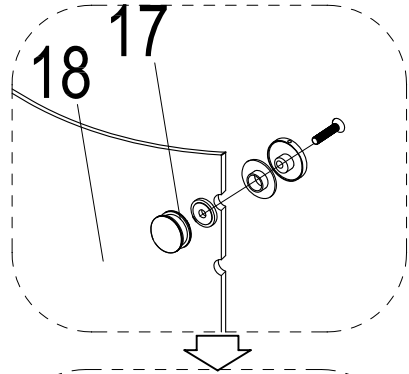
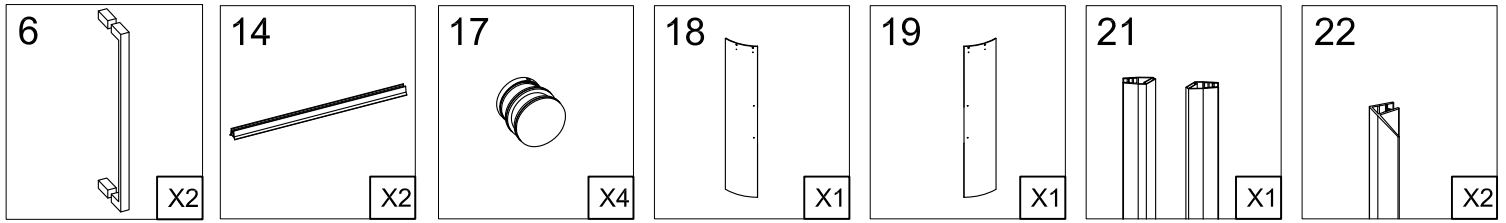
Ø2.8mm



2.5 mm

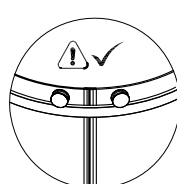
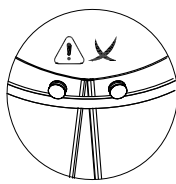
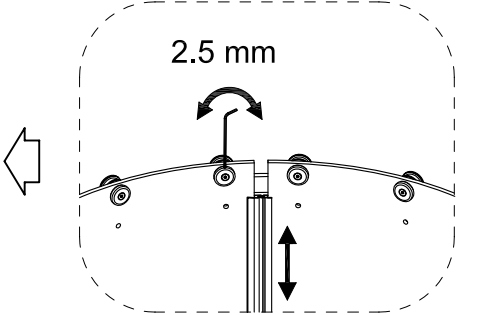
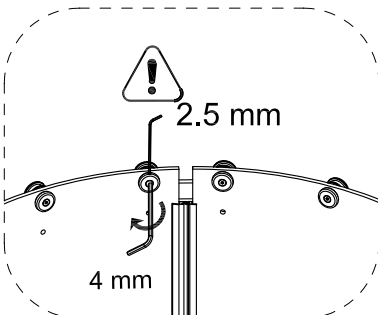
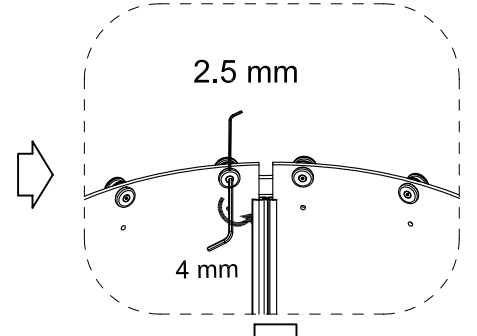
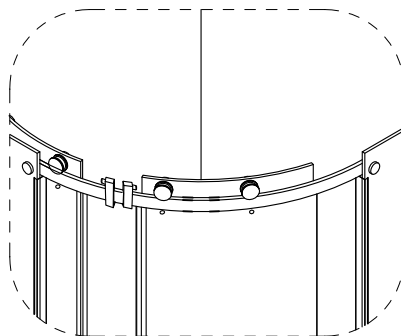
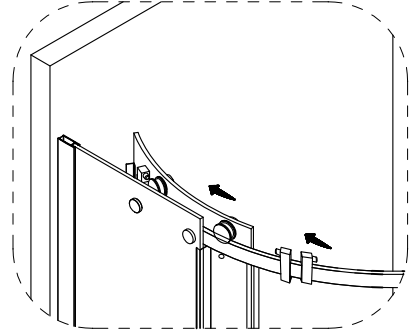
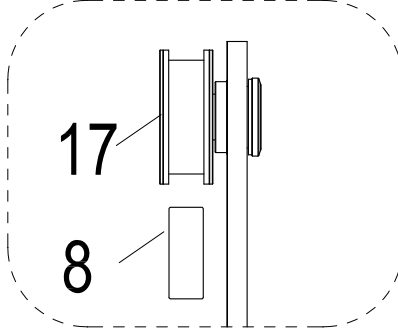
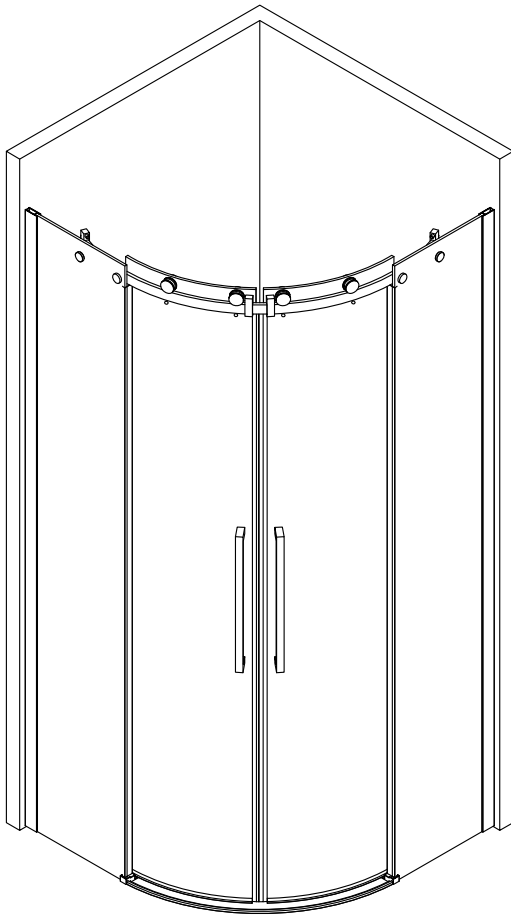
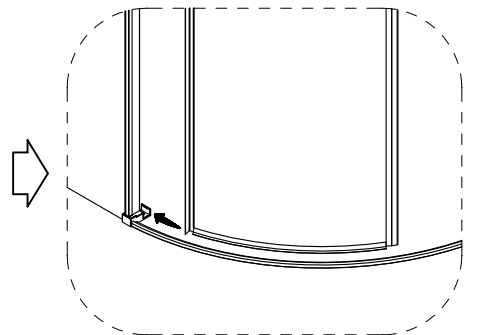
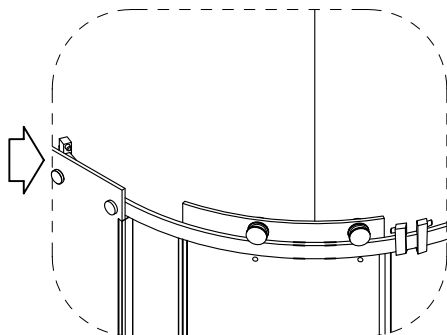
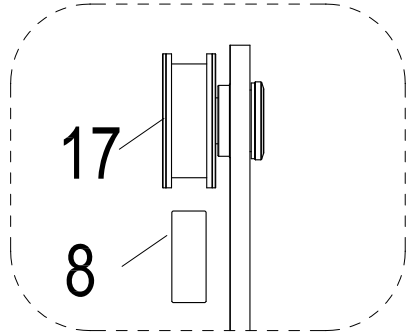
4 mm

3 mm



2.5 mm

4 mm



2.5 mm

